

# **PARTS CATALOGUE**

**F15MHA (66M1)**

**F15EHA (66M1)**

**F15AMH'02 (66M1)**

---

# FOREWORD

This Parts Catalogue is related to the parts for the model(s) in the below frame. When you are ordering replacement parts, please refer to this Parts Catalogue and quote both part numbers and part names correctly.

F15MHA(66M1), F15EHA(66M1), F15AMH'02(66M1)

1. Modifications or additions which have been made after issue of the Parts Catalogue will be announced in the Yamaha Parts News.  
It is advisable that you make necessary corrections to the Parts Catalogue according to the Yamaha Parts News.
2. Abbreviations  
The Following abbreviations are used in this Parts Catalogue.  
  - “UR” Use specified parts number.
  - “UN” Use as many as needed.
  - “AP” Alternate Parts
  - “LM” Local Made  
(Parts need to be ordered locally)
  - “O/S” Over Size
3. Parts, which are to be supplied in an assembly, are listed with a dot(.) in front of the part name as shown below.  
EXAMPLE  
  - CARBURETOR ASSY
  - .JET, PILOT
  - .NOZZLE, MAIN
4. Number of component for assembly  
The numeral appearing to the right of each component part indicates the quantity of parts for each assembly unit.

EXAMPLE

PART NO.	DESCRIPTION	1	2	3	4	REMARKS
6E0-85500-70	C.D.I. MAGNETO ASSY	1				
6E0-85550-70	.ROTOR ASSY	1				
6E0-15723-00-94.	.PULLY, STARTER	1				

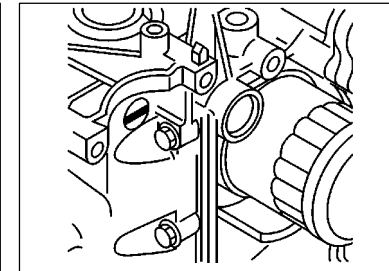
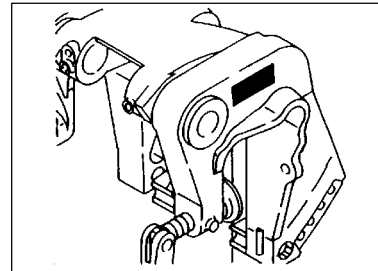
5. Quantity Column Information

NAME for Q'TY COLUMN	APPLICABLE MODEL
MH	F15MHA, F15AMH
EH	F15EHA

6. Applicable Starting Serial No. and Color Code

1) Engine Starting Sserial No.

<table style="width: 100%; border-collapse: collapse;"> <tr> <td style="padding: 5px;">F15MHA</td> <td style="padding: 5px;">66M S : 006168</td> </tr> <tr> <td></td> <td style="padding: 5px;">66M L : 304145</td> </tr> <tr> <td style="padding: 5px;">F15EHA</td> <td style="padding: 5px;">66M S : 202537</td> </tr> <tr> <td></td> <td style="padding: 5px;">66M L : 502438</td> </tr> </table>	F15MHA	66M S : 006168		66M L : 304145	F15EHA	66M S : 202537		66M L : 502438	<table style="width: 100%; border-collapse: collapse;"> <tr> <td style="padding: 5px;">F15AMH</td> <td style="padding: 5px;">66M S : 006168</td> </tr> <tr> <td></td> <td style="padding: 5px;">66M L : 304145</td> </tr> </table>	F15AMH	66M S : 006168		66M L : 304145
F15MHA	66M S : 006168												
	66M L : 304145												
F15EHA	66M S : 202537												
	66M L : 502438												
F15AMH	66M S : 006168												
	66M L : 304145												



2) Color Code

Color Code	Color Name	Abbreviation
004D	DARK BLUISH GRAY METALLIC 2	DBNM2

7. Note that the illustrations for reference in finding parts numbers, not to be used for assembling. When assembling, please use the applicable service manual.
8. The asterisk (\*) before a reference number indicates modification items after the first edition.

# CONTENTS

## SHEET 1/2

TOP COWLING .....	A4
CYLINDER. CRANKCASE 1 .....	A5
CRANKSHAFT. PISTON .....	A7
CYLINDER. CRANKCASE 2 .....	B1
VALVE .....	B2
INTAKE .....	B3
CARBURETOR .....	B4
OIL PUMP .....	B6
FUEL 1 .....	B7
FUEL 2 .....	C2
STARTER .....	C3
GENERATOR .....	C5
ELECTRICAL 1 .....	C6
ELECTRICAL 2 .....	C7
STARTING MOTOR .....	D1
BOTTOM COWLING .....	D2
STEERING .....	D4
STEERING FRICTION .....	D6
CONTROL .....	D7
REMOTE CONTROL ATTACHMENT .....	E2
BRACKET 1 .....	E3
BRACKET 2 .....	E5
UPPER CASING .....	E6
OIL PAN .....	E7
LOWER CASING. DRIVE 1 .....	F1
LOWER CASING. DRIVE 2 .....	F4
FUEL TANK .....	F5
REPAIR KIT 1 .....	F6
REPAIR KIT 2 .....	F7

## INDEX

NUMERICAL INDEX .....	G1
-----------------------	----

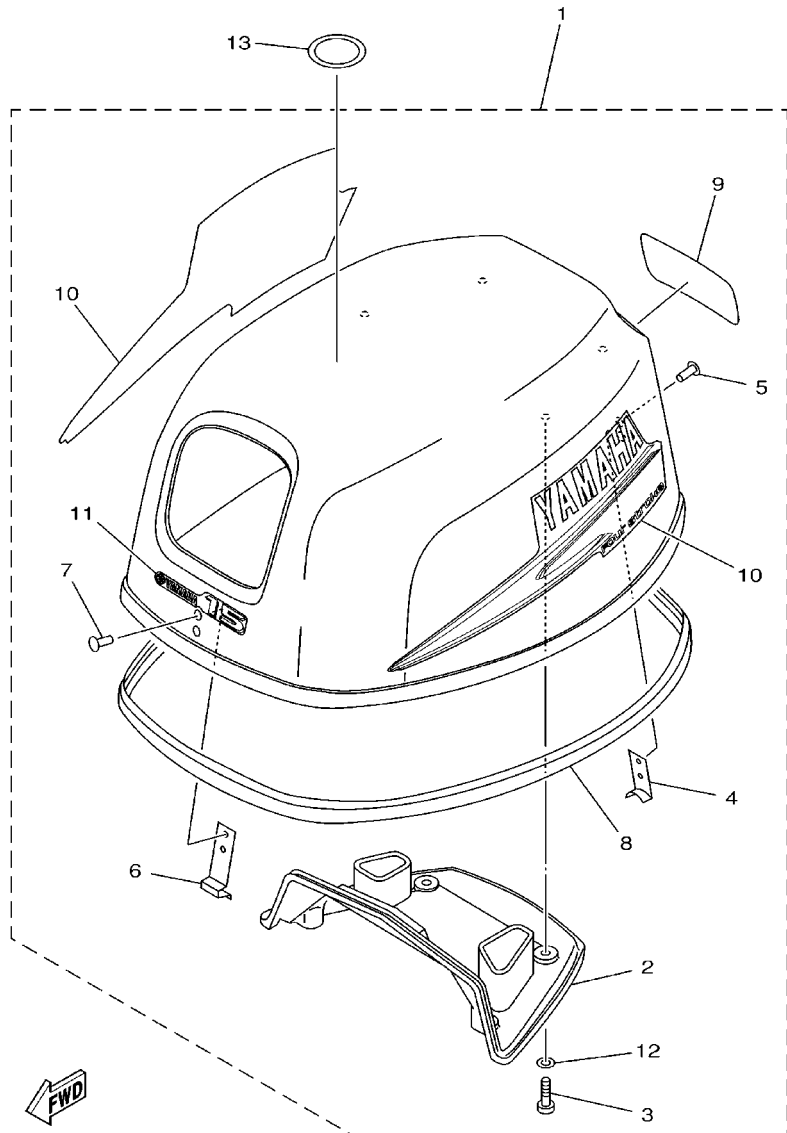
## SHEET 2/2

REPAIR KIT 3 .....	A4*
--------------------	-----

## INDEX

NUMERICAL INDEX .....	G1*
-----------------------	-----

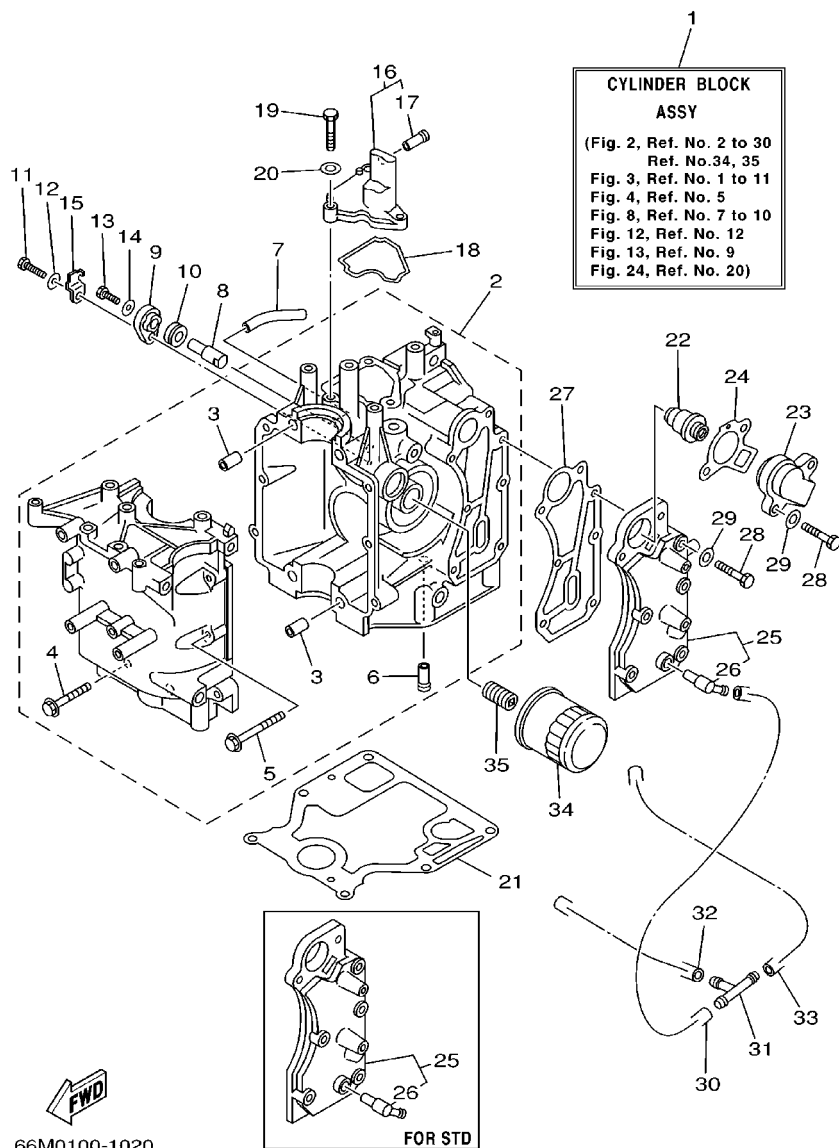
**FIG. 1 TOP COWLING**



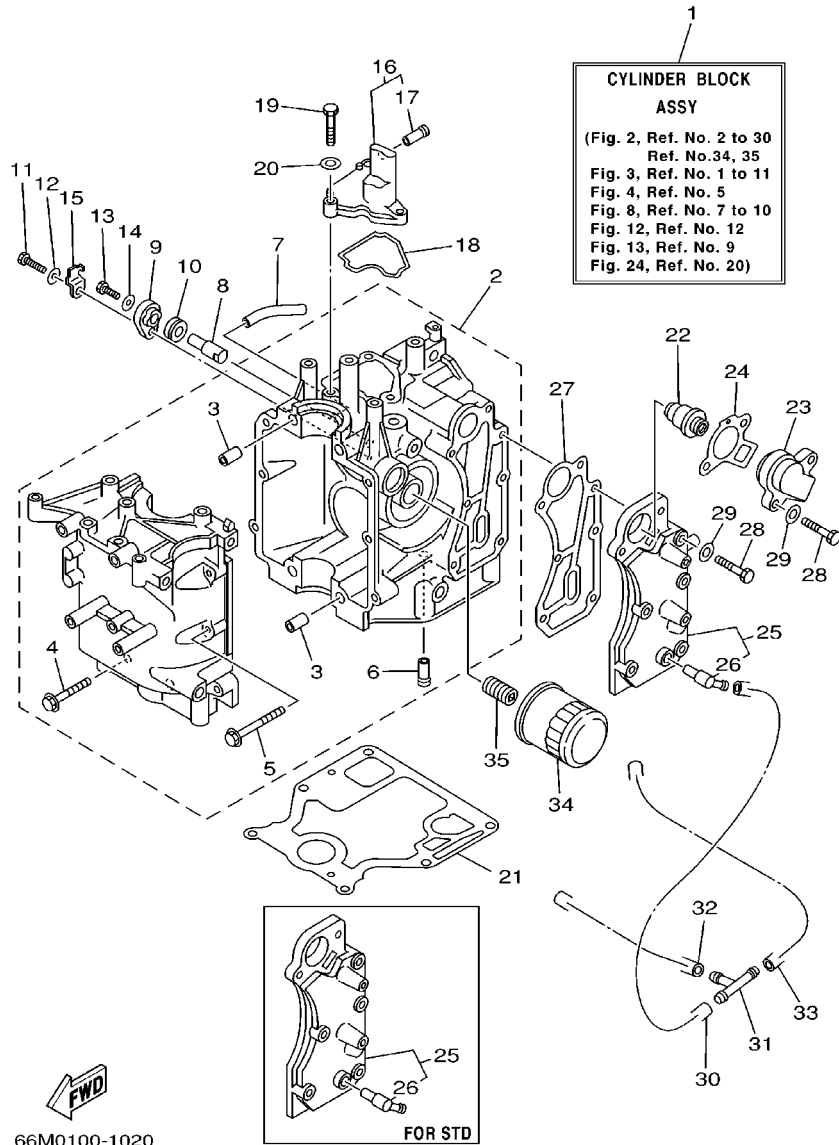
66M1010-2010

REF. NO.	PART NO.	DESCRIPTION	MH	EH					REMARKS
1	66M-42610-10-4D	TOP COWLING ASSY	1	1					
2	66M-42613-00	.MOLDING, AIR DUCT	1	1					
3	97780-60520	.SCREW, TAPPING	4	4					
4	6E0-42651-02	.HOOK	1	1					
5	90266-04M04	.RIVET	2	2					
6	6E7-42652-00	.HOOK	1	1					
7	90266-04M04	.RIVET	2	2					
8	66M-42615-00	.SEAL	1	1					
9	66M-42678-20	.GRAPHIC, REAR	1	1					
10	66M-W0070-20	.GRAPHIC SET	1	1					
11	66M-42677-00	.GRAPHIC, FRONT	1	1					
12	90202-05M38	.WASHER, PLATE	4	4					
13	67F-13434-02	LABEL, CAUTION	1	1					

FIG. 2 CYLINDER. CRANKCASE 1



REF. NO.	PART NO.	DESCRIPTION	MH	EH	REMARKS
1	66M-W009B-10-1S	CYLINDER BLOCK ASSY	1	1	FOR FLUSHING KIT
	66M-W009B-02-1S	CYLINDER BLOCK ASSY	1		FOR STD
2	66M-15100-01-1S	CRANKCASE ASSY	1	1	
3	99510-10114	.PIN, DOWEL	2	2	
4	90119-08M66	.BOLT, WITH WASHER	4	4	
5	90119-06M14	.BOLT, WITH WASHER	6	6	
6	6E5-24377-00	.PIPE, JOINT 3	1	1	
7	90445-10M46	HOSE (L65)	1	1	
8	66M-11325-00	ANODE	1	1	
9	66M-11327-00-94	COVER, ANODE	1	1	
10	66M-11328-00	GROMMET, ANODE	1	1	
11	97095-06020	BOLT	1	1	
12	92995-06600	WASHER	1	1	
13	97095-05012	BOLT	1	1	
14	92995-05600	WASHER	1	1	
15	66M-12535-00	PLATE	1	1	
16	66M-11168-00-1S	COVER, BREATHER	1	1	
17	6E5-24377-00	.PIPE, JOINT 3	1	1	
18	66M-11357-00	SEAL, CYLINDER 3	1	1	
19	97095-06020	BOLT	3	3	
20	92995-06600	WASHER	3	3	
21	66M-11351-00	GASKET, CYLINDER	1	1	
22	66M-12411-00	THERMOSTAT	1	1	
23	6H3-12413-00-1S	COVER, THERMOSTAT	1	1	
24	62Y-12414-00	GASKET, COVER	1	1	
25	66M-41113-10-1S	OUTER COVER, EXHAUST	1	1	FOR FLUSHING KIT
	66M-41113-02-1S	OUTER COVER, EXHAUST	1		FOR STD

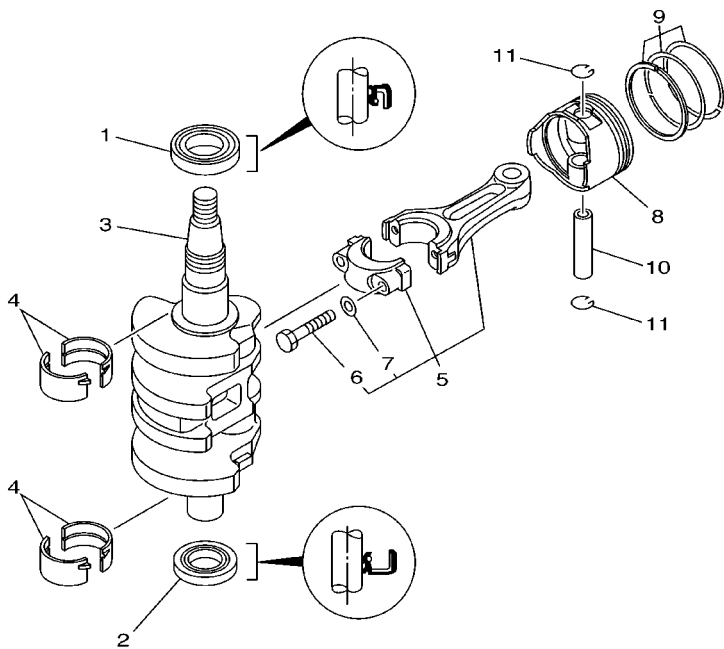


**FIG. 2 CYLINDER. CRANKCASE 1**

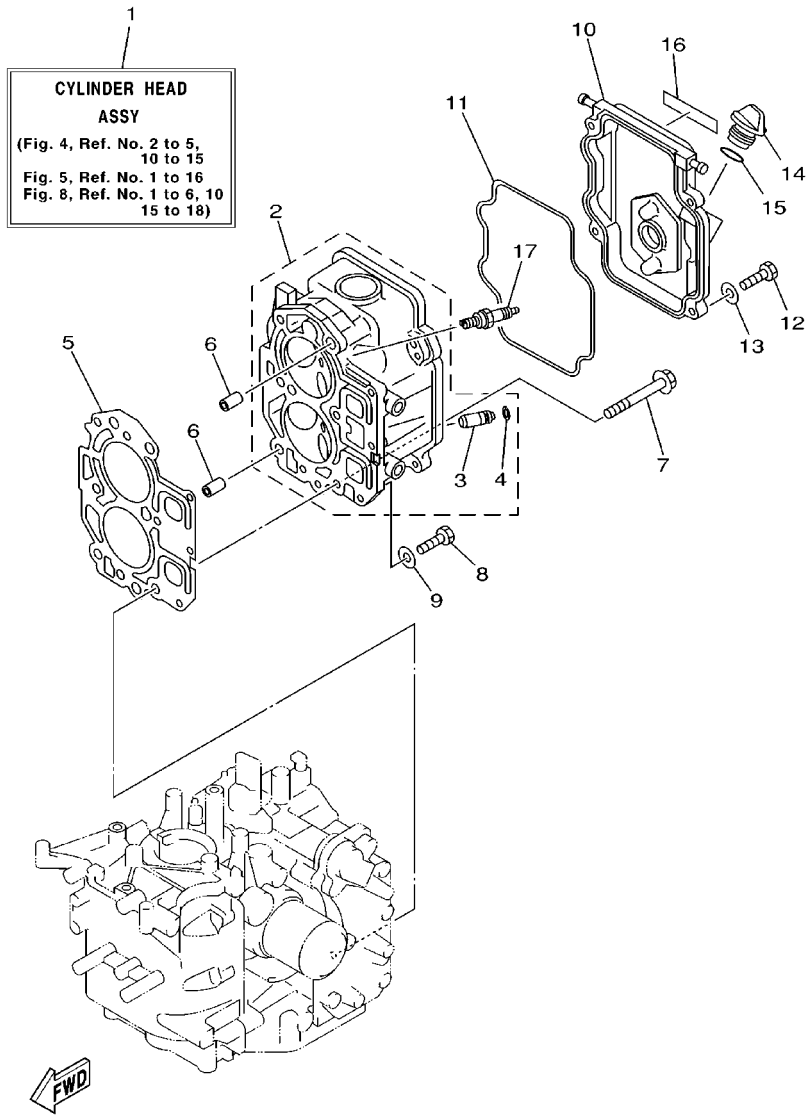
REF. NO.	PART NO.	DESCRIPTION	MH	EH	REMARKS
26	676-11372-00	.NIPPLE, HOSE	1	1	
27	66M-41114-00	GASKET, EXHAUST OUTER COVER	1	1	
28	97013-06030	BOLT	7	7	
29	92903-06600	WASHER, PLATE	7	7	
30	90445-09061	HOSE (L65)	1	1	
31	688-24378-00	PIPE, JOINT 4	1	1	
32	90445-09086	HOSE (L170)	1	1	
33	90445-09105	HOSE (L300)	1	1	
34	5GH-13440-00	ELEMENT ASSY, OIL CLEANER	1	1	
35	90401-20M00	BOLT, UNION	1	1	

FIG. 3 CRANKSHAFT. PISTON

REF. NO.	PART NO.	DESCRIPTION	MH	EH				REMARKS
1	93102-35M51	OIL SEAL	1	1				
2	93102-25M52	OIL SEAL	1	1				
3	66M-11411-00	CRANKSHAFT	1	1				
4	66M-11416-00	PLANE BEARING, CRANKSHAFT 1	4	4				UR BROWN
	66M-11416-10	PLANE BEARING, CRANKSHAFT 1	4	4				UR BLACK
	66M-11416-20	PLANE BEARING, CRANKSHAFT 1	4	4				UR BLUE
5	66M-11650-00	CONNECTING ROD ASSY	2	2				
6	66M-11654-00	.BOLT, CONNECTING ROD	2	2				
7	90201-07M01	.WASHER, PLATE	2	2				
8	66M-11631-00-96	PISTON (STD)	2	2				
	66M-11635-00	PISTON (0.25MM O/S)	2	2				AP
	66M-11636-00	PISTON (0.50MM O/S)	2	2				AP
9	66M-11603-00	PISTON RING SET (STD)	2	2				
	66M-11604-00	PISTON RING SET (0.25MM O/S)	2	2				AP
	66M-11605-00	PISTON RING SET (0.50MM O/S)	2	2				AP
10	634-11633-00	PIN, PISTON	2	2				
11	93450-15023	CIRCLIP	4	4				



66M0010-8030

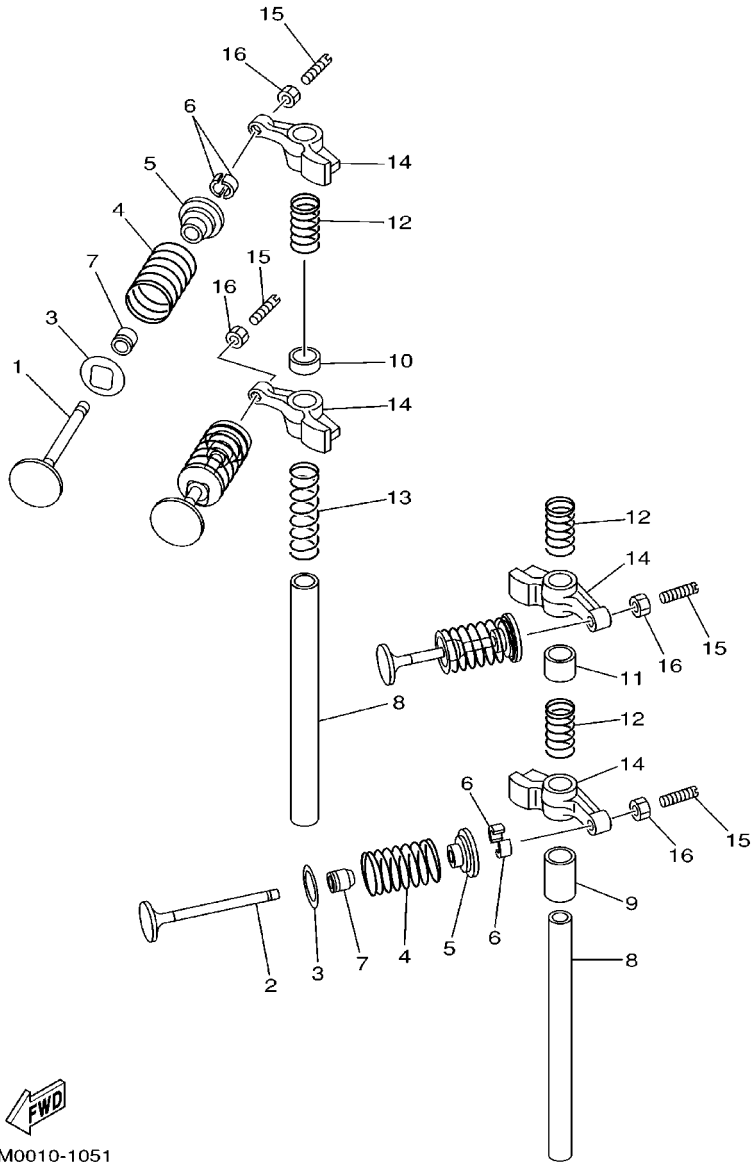


66M1100-2040

**FIG. 4 CYLINDER. CRANKCASE 2**

REF. NO.	PART NO.	DESCRIPTION	MH	EH				REMARKS
1	66M-W009A-01-1S	CYLINDER HEAD ASSY	1	1				
2	66M-11111-01-1S	HEAD, CYLINDER 1	1	1				
3	66M-11133-10	.GUIDE, INTAKE VALVE	4	4				
4	93450-09M01	.CIRCLIP	4	4				
5	66M-11181-00	GASKET, CYLINDER HEAD 1	1	1				
6	99510-10114	PIN, DOWEL	2	2				
7	90105-08M78	BOLT, WASHER BASED	6	6				
8	97013-06025	BOLT	3	3				
9	92903-06600	WASHER, PLATE	3	3				
10	66M-11191-00-1S	COVER, CYLINDER HEAD 1	1	1				
11	66M-11356-00	SEAL, CYLINDER 2	1	1				
12	97095-06020	BOLT	4	4				
13	92995-06600	WASHER	4	4				
14	6G8-15363-00	PLUG, OIL	1	1				
15	93210-24M79	O-RING	1	1				
16	66M-12138-40	MARK, CAUTION	1	1				FOR USA,OCEANIA
	66M-12138-50	MARK, CAUTION	1	1				FOR CANADA
17	94701-00375	PLUG, SPARK (NGK DPR6EA-9)	2	2				



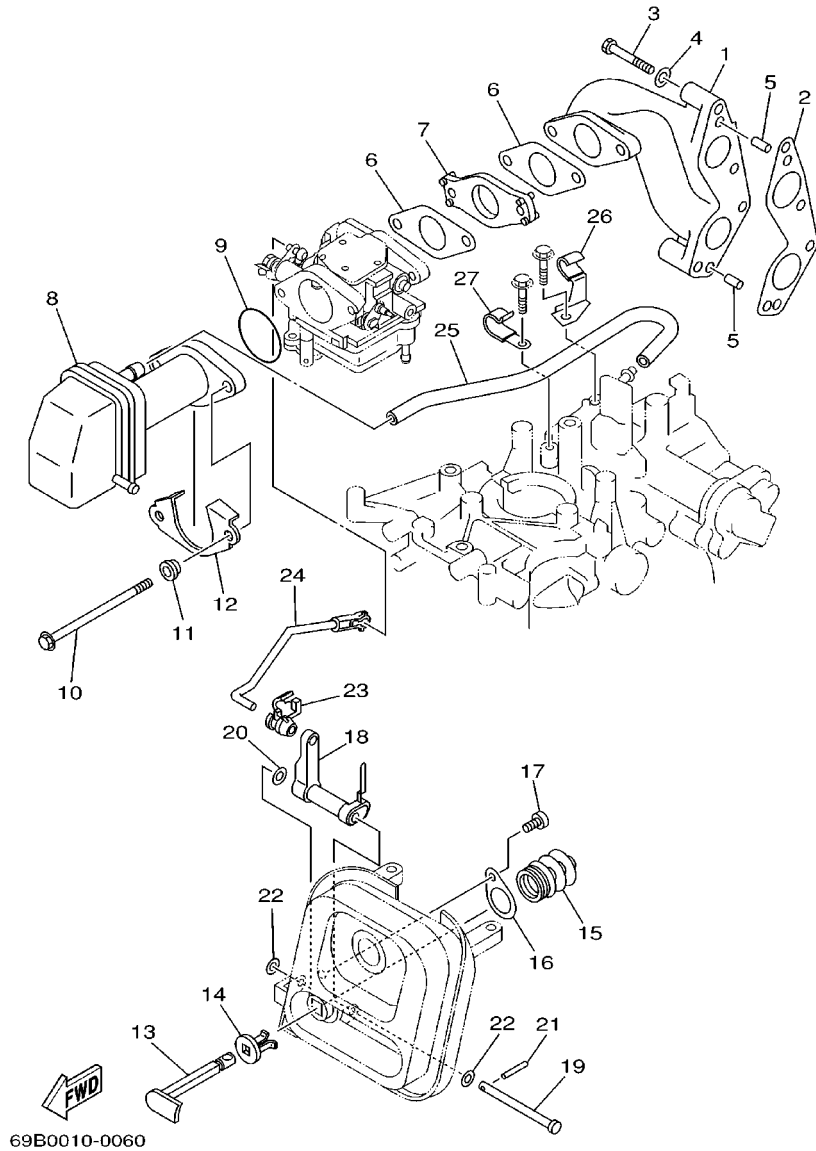


  
66M0010-1051

**FIG. 5 VALVE**

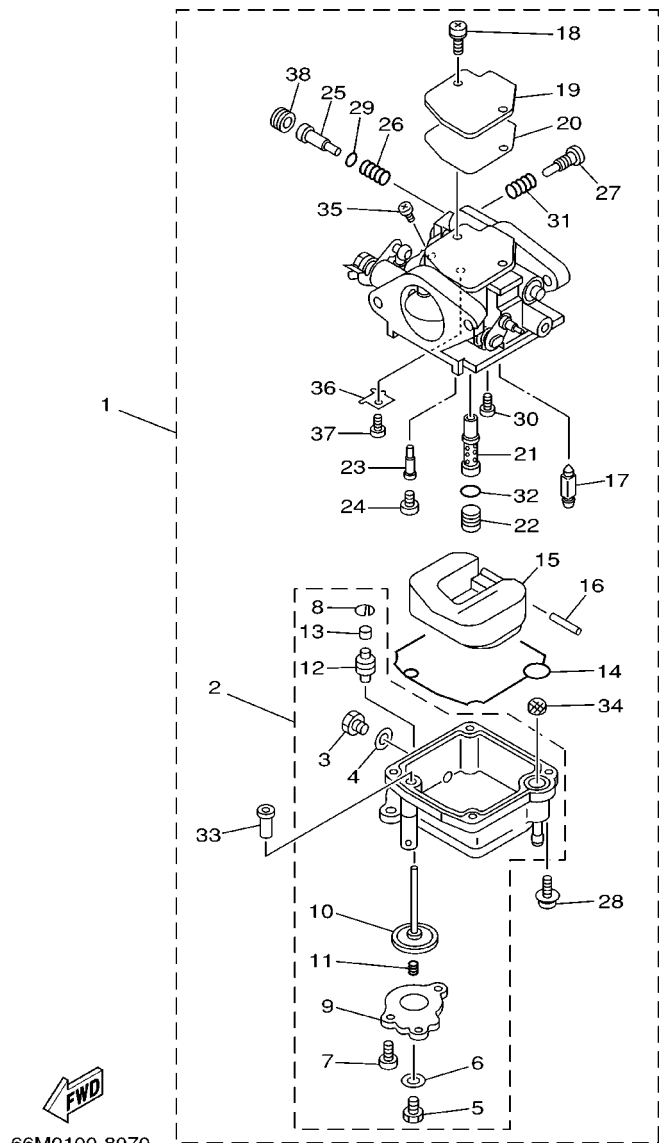
REF. NO.	PART NO.	DESCRIPTION	MH	EH				REMARKS
1	66M-12111-00	VALVE, INTAKE	2	2				
2	66M-12121-00	VALVE, EXHAUST	2	2				
3	66M-12116-00	SEAT, VALVE SPRING	4	4				
4	66M-12113-00	SPRING, VALVE INNER	4	4				
5	30X-12117-00	RETAINER, VALVE SPRING	4	4				
6	30X-12118-00	COTTER, VALVE	8	8				
7	51Y-12119-00	SEAL, VALVE STEM	4	4				
8	66M-12146-00	SHAFT, ROCKER	2	2				
9	90387-13M56	COLLAR	1	1				
10	90387-13001	COLLAR	1	1				
11	90387-13002	COLLAR	1	1				
12	90501-12M40	SPRING, COMPRESSION	3	3				
13	90501-12M41	SPRING, COMPRESSION	1	1				
14	66M-12151-10	ARM, VALVE ROCKER	4	4				
15	62Y-12159-00	SCREW, VALVE ADJUSTING	4	4				
16	62Y-12158-00	NUT, LOCK	4	4				

FIG. 6 INTAKE



69B0010-0060

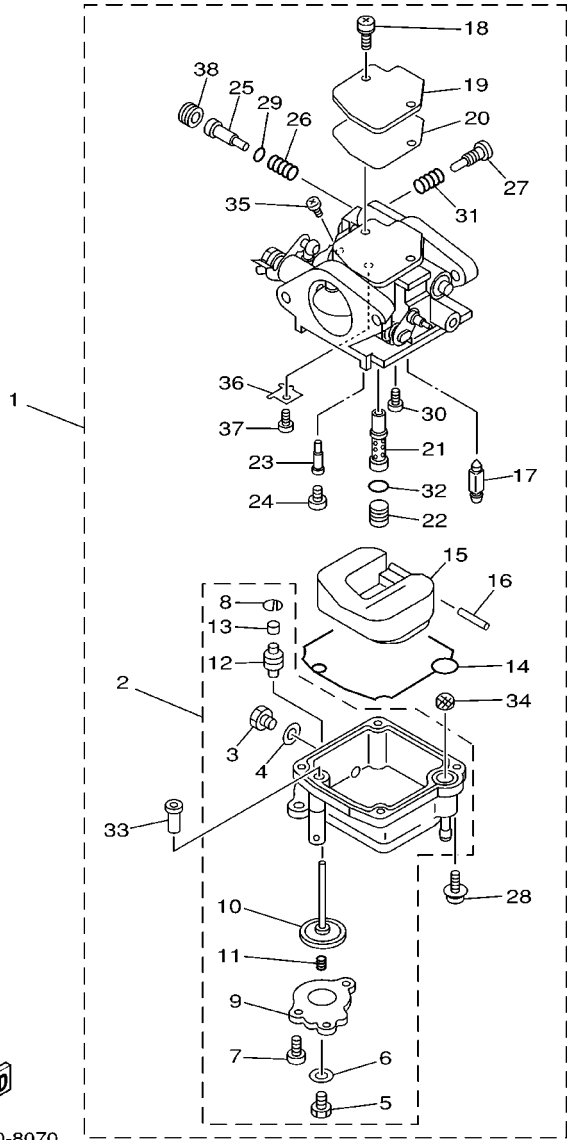
REF. NO.	PART NO.	DESCRIPTION	MH	EH				REMARKS
1	66M-13641-00-94	MANIFOLD 1	1	1				
2	66M-13645-00	GASKET, MANIFOLD 1	1	1				
3	97095-06040	BOLT	4	4				
4	92995-06600	WASHER	4	4				
5	93606-12019	PIN, DOWEL	2	2				
6	66M-13646-00	GASKET, MANIFOLD 2	2	2				
7	66M-14271-00	INSULATOR	1	1				
8	66M-14440-00	SILENCER ASSY, INTAKE	1	1				
9	93210-35M86	O-RING	1	1				
10	90119-06M76	BOLT, WITH WASHER	2	2				
11	90387-06M79	COLLAR	2	2				
12	66M-14477-00	PLATE	1	1				
13	66M-41271-00	KNOB, CHOKE	1	1				
14	689-41273-00	GROMMET	1	1				
15	66M-41292-00	BUSH 2	1	1				
16	66M-41298-00	WASHER 2	1	1				
17	97780-50510	SCREW, TAPPING	1	1				
18	66M-41252-00	LEVER, CHOKE 1	1	1				
19	90240-05M20	PIN, CLEVIS	1	1				
20	90206-05005	WASHER, WAVE	1	1				
21	91690-20016	PIN, SPRING	1	1				
22	90202-05088	WASHER, PLATE	2	2				
23	6R5-41237-00	JOINT, LINK	1	1				
24	66M-41256-00	ROD, CHOKE 1	1	1				
25	66M-15373-00	PIPE, BREATHER	1	1				
26	90465-08M82	CLAMP	1	1				
27	90465-08M83	CLAMP	1	1				



66M0100-8070

FIG. 7 CARBURETOR

REF. NO.	PART NO.	DESCRIPTION	MH	EH	REMARKS
1	66M-14301-11	CARBURETOR ASSY 1	1	1	FOR USA,CANADA
	66M-14301-00	CARBURETOR ASSY 1	1		FOR OCEANIA
2	66M-14381-02	..BODY, FLOAT CHAMBER	1	1	
3	62Y-14383-00	..SCREW, DRAIN	1	1	
4	66M-14398-00	..GASKET	1	1	
5	677-14383-01	..SCREW, DRAIN	1	1	
6	6L2-14398-00	..GASKET	1	1	
7	66M-14325-00	..SCREW, PAN HEAD	3	3	
8	66M-14377-00	..STOPPER	1	1	
9	66M-14157-00	..PLATE	1	1	
10	66M-14368-01	..DIAPHRAGM ASSY 1	1	1	
11	6G8-14275-02	..SPRING	1	1	
12	66M-14239-00	..SEAL	1	1	
13	66M-14225-00	..CAP	1	1	
14	66M-14384-00	..GASKET, FLOAT CHAMBER	1	1	
15	6L2-14385-00	..FLOAT	1	1	
16	6E5-14386-01	..PIN, FLOAT	1	1	
17	6L2-14392-00	..VALVE, NEEDLE	1	1	
18	97980-04110	..SCREW, WITH WASHER	2	2	
19	6L2-14157-00	..COVER, MIXING	1	1	
20	62Y-14399-00	..GASKET	1	1	
21	66M-14341-00	..NOZZLE, MAIN	1	1	
22	66M-14343-52	..JET, MAIN (#104)	1	1	
23	66M-14342-23	..JET, PILOT (#45)	1	1	
24	66M-14355-00	..PLUG	1	1	
25	5H0-14323-00	..SCREW, AIR ADJUSTING	1	1	
26	30X-14334-00	..SPRING, AIR ADJUSTING	1	1	

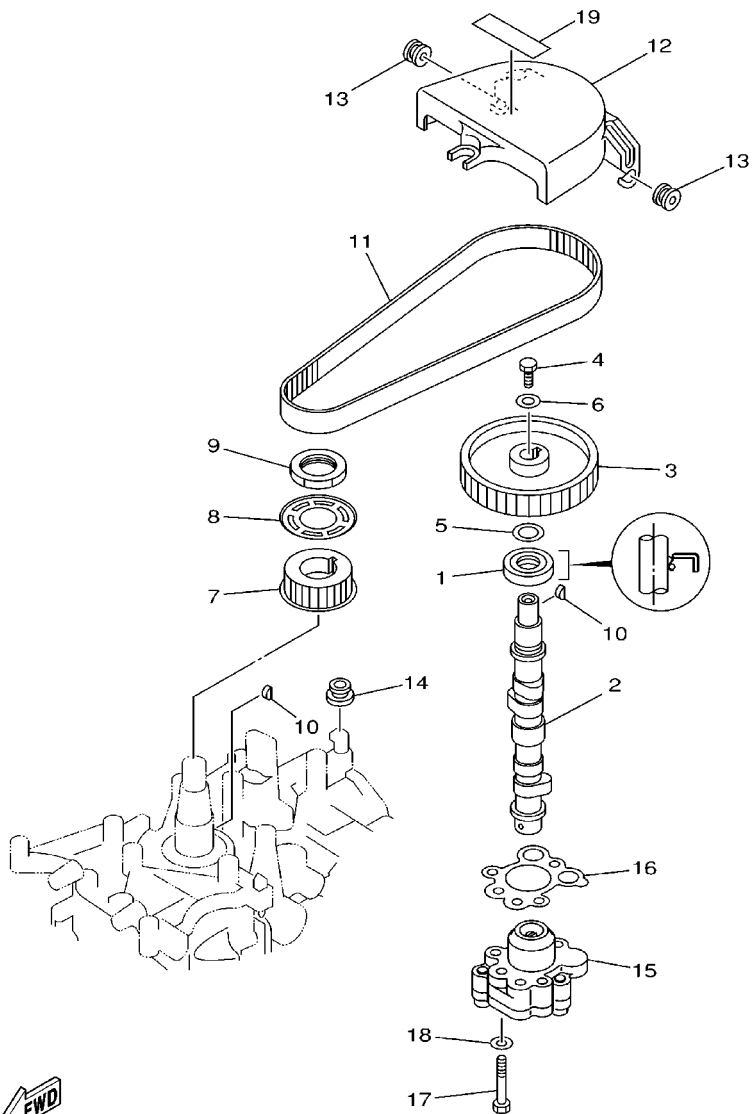


66M0100-8070

FIG. 7 CARBURETOR

REF. NO.	PART NO.	DESCRIPTION	MH	EH				REMARKS
27	62Y-14321-00	.SCREW, THROTTLE	1	1				
28	97980-04112	.SCREW, WITH WASHER	4	4				
29	62Y-14397-00	.O-RING	1	1				
30	98980-04006	.SCREW, BIND	1	1				
31	646-14212-01	.SPRING, PILOT ADJUSTING	1	1				
32	6F5-14397-00	.O-RING	1	1				
33	66M-14272-00	.CHECK VALVE ASSY	1	1				
34	66M-14827-00	.FILTER	1	1				
35	97890-04005	.SCREW, PAN HEAD	1	1				
36	66M-14157-00	.PLATE	1	1				
37	98580-03005	.SCREW, PAN HEAD	1	1				
38	6G8-1432A-01	.PLUG	1	1				FOR 66M-14301-11

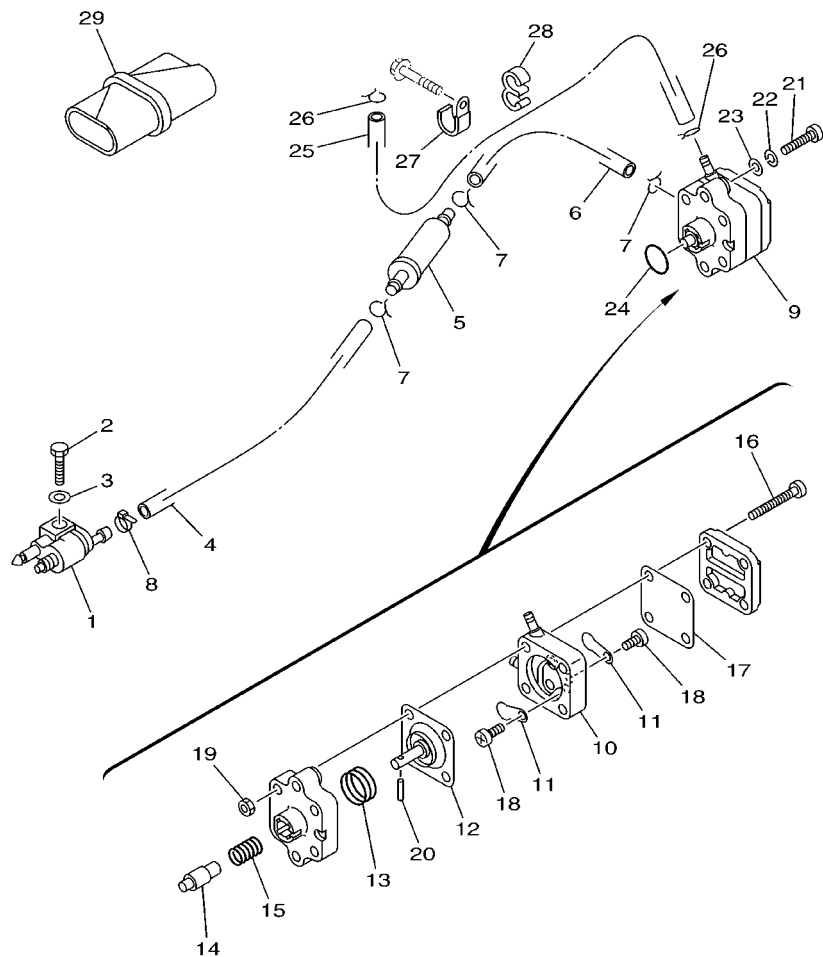
**FIG. 8 OIL PUMP**



REF. NO.	PART NO.	DESCRIPTION	MH	EH				REMARKS
1	93102-18M21	OIL SEAL	1	1				
2	66M-12170-00	CAMSHAFT ASSY 1	1					
	66M-12171-10	CAMSHAFT 1		1				
3	66M-11537-00-94	GEAR, DRIVEN	1	1				
4	97013-06016	BOLT	1	1				
5	90201-13201	WASHER, PLATE	1	1				
6	90201-06M94	WASHER, PLATE	1	1				
7	66M-11536-10	GEAR, DRIVE	1	1				
8	66M-11557-00	WASHER 1	1	1				
9	90170-28M37	NUT	1	1				
10	90280-03M01	KEY, WOODRUFF	2	2				
11	66M-46241-00	V-BELT	1	1				
12	66M-46297-00	COVER, DUST	1	1				
13	90480-10M16	GROMMET	2	2				
14	90480-12072	GROMMET	1	1				
15	66M-13300-10	OIL PUMP ASSY	1	1				
16	66M-13329-10	GASKET, PUMP COVER	1	1				
17	97095-06035	BOLT	3	3				
18	92995-06600	WASHER	3	3				
19	6G8-13437-43	MARK, CAUTION	1	1				FOR USA,OCEANIA
	6G8-13437-53	MARK, CAUTION	1	1				FOR CANADA

  
66M1100-2080

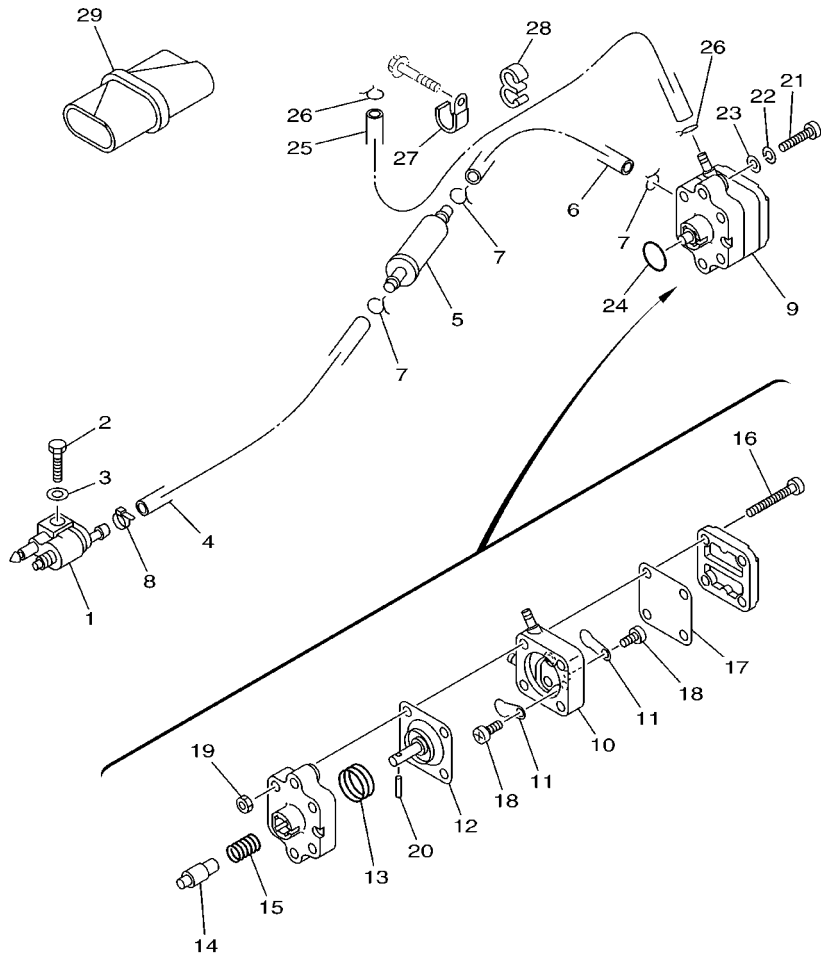
FIG. 9 FUEL 1



REF. NO.	PART NO.	DESCRIPTION	MH	EH				REMARKS
1	6G1-24304-02	FUEL PIPE JOINT COMP. 1	1	1				
2	97095-06020	BOLT	1	1				
3	92995-06600	WASHER	1	1				
4	90445-10M40	HOSE (L330)	1	1				
5	65W-24251-00	STRAINER 1	1	1				
6	90445-10M20	HOSE (L150)	1	1				
7	90467-09M03	CLIP	3	3				
8	90465-11M10	CLAMP	1	1				
9	66M-24410-10	FUEL PUMP ASSY	1	1				
10	66M-24413-01	.BODY 2	1	1				
11	6A0-24421-01	.VALVE, CHECK	2	2				
12	66M-24411-10	.DIAPHRAGM	1	1				
13	66M-24423-00	.SPRING, DIAPHRAGM	1	1				
14	66M-13131-10	.PLUNGER	1	1				
15	66M-24454-00	.SPRING	1	1				
16	66M-24444-00	.SCREW	4	4				
17	66M-24471-00	.DIAPHRAGM	1	1				
18	6E7-14325-00	.SCREW, PAN HEAD	2	2				
19	95380-05600	.NUT	4	4				
20	66M-24374-00	.PIN	1	1				
21	97880-06030	SCREW, PAN HEAD	2	2				
22	92990-06100	WASHER, SPRING	2	2				
23	92990-06600	WASHER, PLATE	2	2				
24	93210-20M65	O-RING	1	1				
25	90445-10M93	HOSE (L370)	1	1				
26	90467-09M03	CLIP	2	2				
27	90465-06M86	CLAMP	1	1				



66M0010-9090

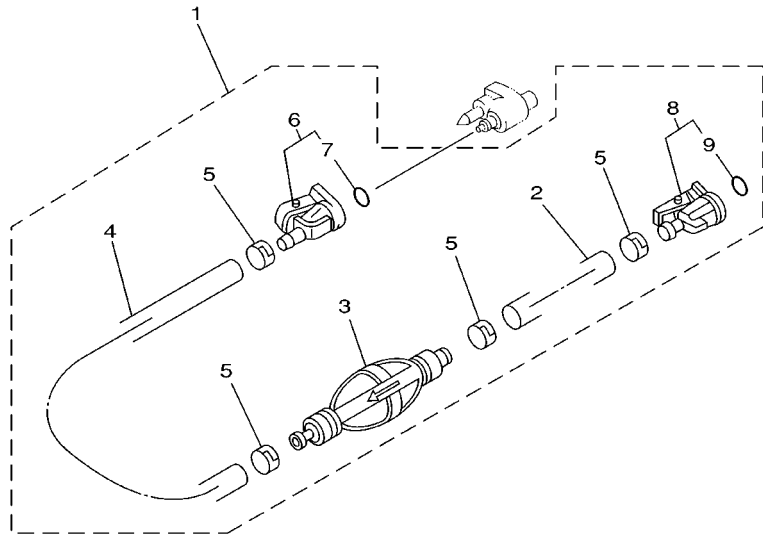


66M0010-9090

**FIG. 9 FUEL 1**

REF. NO.	PART NO.	DESCRIPTION	MH	EH	REMARKS
28	90464-09M31	CLAMP	1	1	
29	62Y-28100-00	TOOL KIT	1	1	FOR CANADA

**FIG. 10 FUEL 2**



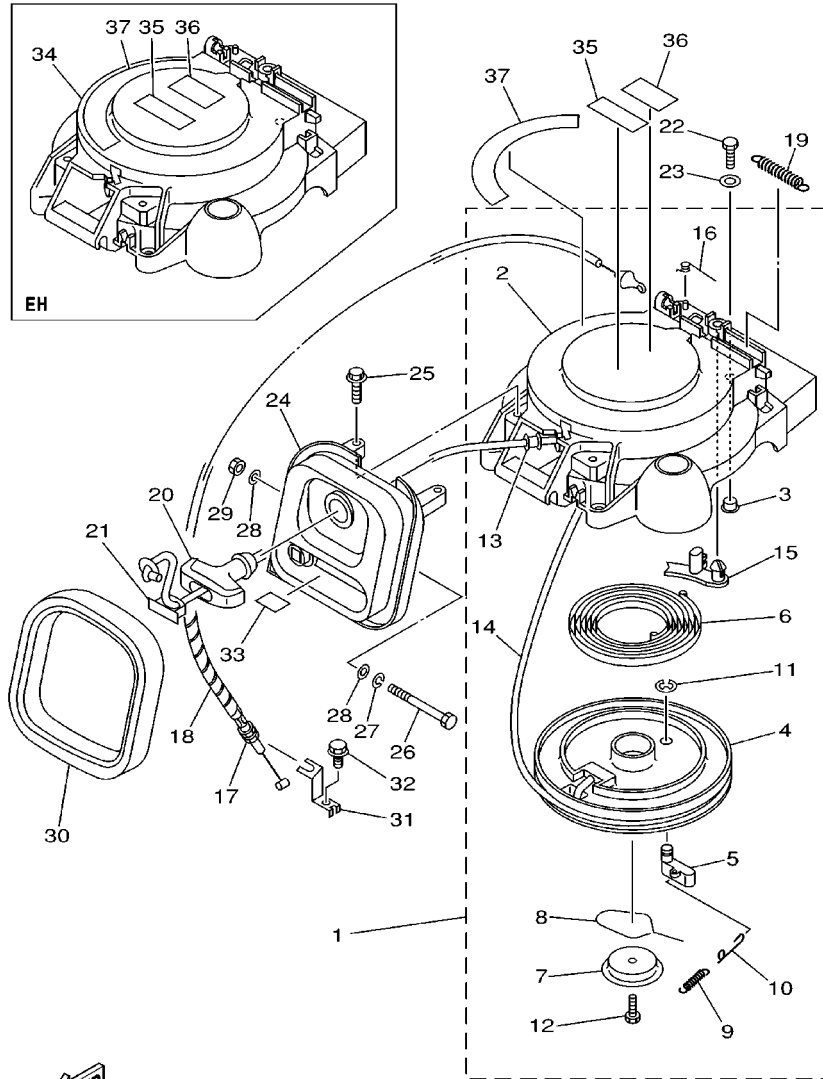
REF. NO.	PART NO.	DESCRIPTION	MH	EH					REMARKS
1	6Y1-24306-53	FUEL PIPE COMP. 1	1	1					AP FOR USA
2	90445-11M06	.HOSE (L2050)	1	1					
3	6Y1-24360-52	.PRIMER PUMP ASSY	1	1					
4	90445-11M05	.HOSE (L:850MM)	1	1					
5	650-24351-51	.BAND 1	4	4					
6	6G1-24305-03	.FUEL PIPE JOINT COMP. 2	1	1					
7	93210-08287	..O-RING	1	1					
8	6Y1-24305-04	.FUEL PIPE JOINT COMP. 2	1	1					
9	93210-08287	..O-RING	1	1					



6960100-0050



FIG. 11 STARTER

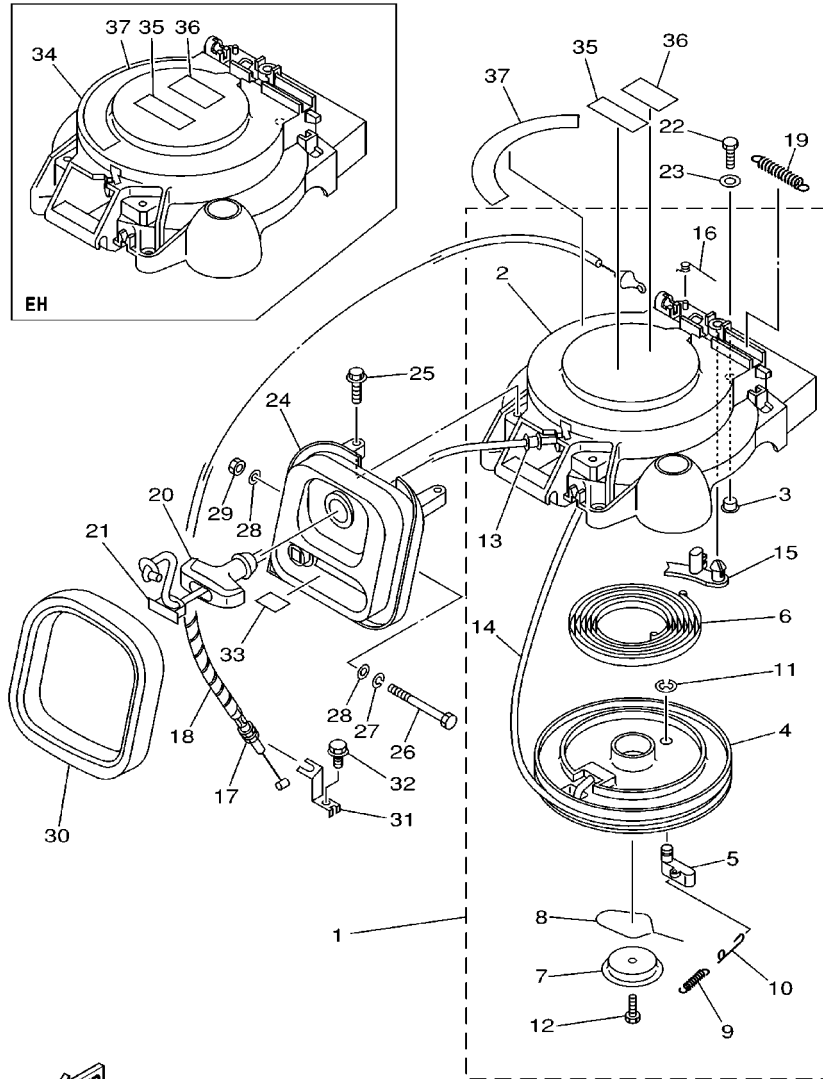


66M1100-2110

REF. NO.	PART NO.	DESCRIPTION	MH	EH	REMARKS
1	66M-15710-01	STARTER ASSY	1		
2	66M-15711-01	.CASE, STARTER	1		
3	90387-06M05	.COLLAR	3		
4	63V-15714-00	.DRUM, SHEAVE	1		
5	63V-15741-00	.PAWL, DRIVE	1		
6	63V-15713-00	.SPRING, STARTER	1		
7	63V-15716-00	.PLATE, DRIVE	1		
8	63V-15705-01	.SPRING, DRIVE PAWL	1		
9	63V-15767-01	.SPRING	1		
10	63V-15784-01	.SPRING, RETURN	1		
11	63V-15744-00	.CIRCLIP	1		
12	63V-15768-00	.BOLT	1		
13	63V-15764-00	.COLLAR 1	1		
14	*	.WIRE, STARTER (L:1800MM)	1		
15	66T-15794-00	.STOPPER	1		
16	66T-15734-00	.SPRING, RETURN	1		
17	66M-15770-00	CABLE COMP., STARTER STOP	1		
18	90446-06M90	HOSE	1		
19	66T-15731-00	SPRING, RETURN	1		
20	6G1-15755-00	HANDLE, STARTER	1		
21	6G1-15779-00	COVER	1		
22	97095-06020	BOLT	3	3	
23	92995-06600	WASHER	3	3	
24	66M-15758-00	GUIDE, ROPE	1		
	66M-15758-10	GUIDE, ROPE		1	

\* CUT FROM 50M ROLLS, PART NO. 90890-44373, CUTTING LENGTH 1.8M

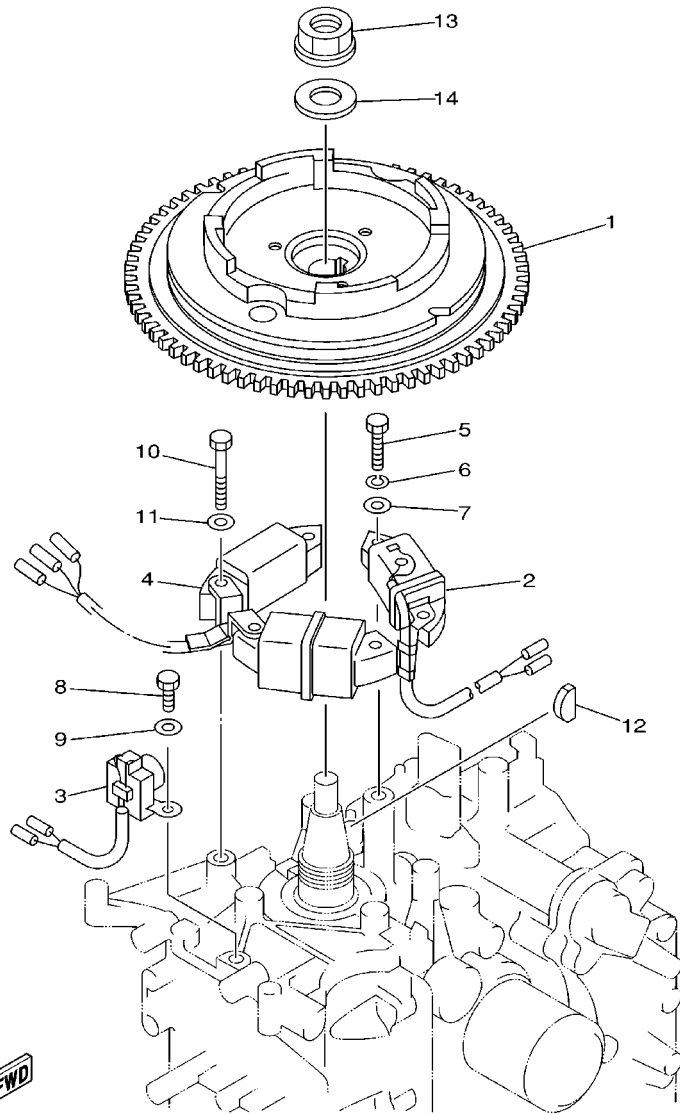
FIG. 11 STARTER



66M1100-2110

REF. NO.	PART NO.	DESCRIPTION	MH	EH				REMARKS
25	90119-06M59	BOLT, WITH WASHER	2	2				
26	97095-06090	BOLT	1	1				
27	92995-06100	WASHER, SPRING	1	1				
28	90201-06M05	WASHER, PLATE	2	2				
29	95380-06700	NUT	1	1				
30	66M-15762-00	SEAL, RUBBER 2	1	1				
31	66M-15774-00	STAY 4	1					
32	90109-06M86	BOLT	1					
33	66M-84342-00	SEAT, EMBLEM	1	1				
34	66M-15711-10	CASE, STARTER		1				
35	6A1-83625-41	MARK 5	1	1				
36	6A1-83625-51	MARK 5	1	1				FOR CANADA
37	66M-14427-40	LABEL, INSTRUCTION	1	1				FOR USA,OCEANIA
	66M-14427-50	LABEL, INSTRUCTION	1	1				FOR CANADA

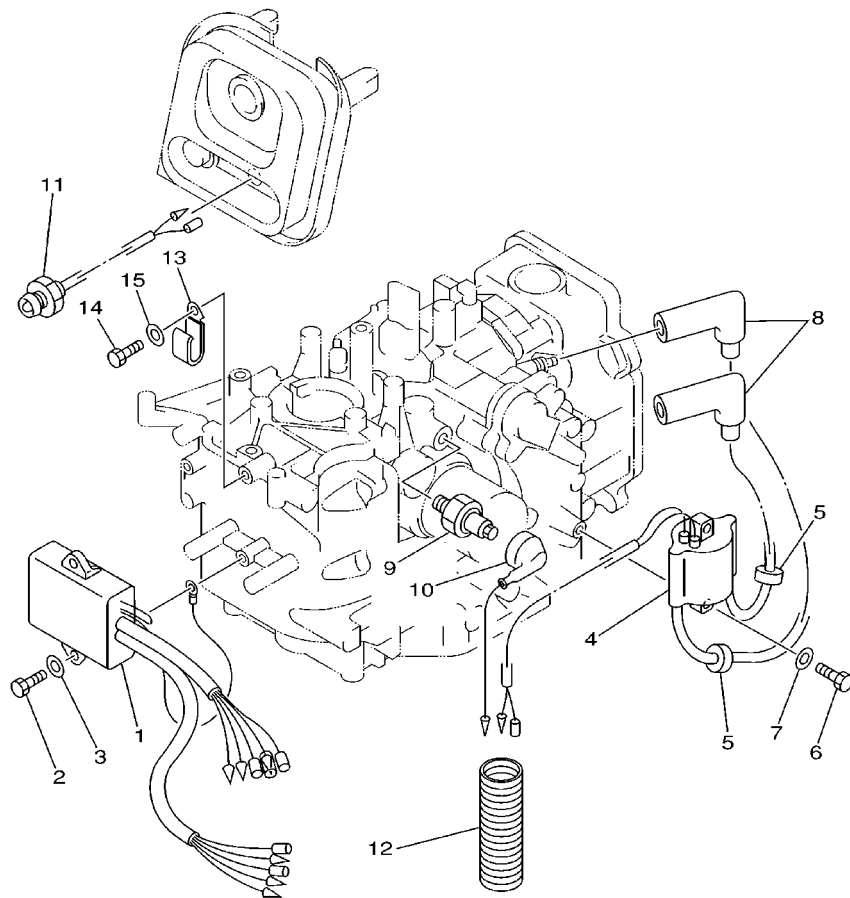
FIG. 12 GENERATOR



69B0010-0110

REF. NO.	PART NO.	DESCRIPTION	MH	EH				REMARKS
1	66M-85550-10	ROTOR ASSY	1	1				"MH"-FOR USA WITH RING GEAR WITHOUT RING GEAR
	66M-85550-00	ROTOR ASSY	1					
2	66M-85520-00	COIL, CHARGE	1	1				
3	66M-85580-00	COIL, PULSER	1	1				
4	66M-85533-00	COIL, LIGHTING	1					6A
	66M-85533-10	COIL, LIGHTING		1				10A
5	97095-06025	BOLT	2	2				
6	92995-06100	WASHER, SPRING	2	2				
7	92995-06600	WASHER	2	2				
8	97095-06016	BOLT	2	2				
9	92995-06600	WASHER	2	2				
10	97095-06030	BOLT	4					
	97095-06040	BOLT		4				
11	92995-06600	WASHER	4	4				
12	90280-05013	KEY, WOODRUFF	1	1				
13	90179-16M05	NUT	1	1				
14	90201-16M44	WASHER, PLATE	1	1				

FIG. 13 ELECTRICAL 1



66M0010-1120

REF. NO.	PART NO.	DESCRIPTION	MH	EH					REMARKS
1	66M-85540-01	C.D.I. UNIT ASSY	1	1					
2	97095-06020	BOLT	2	2					
3	92995-06600	WASHER	2	2					
4	66M-85570-00	IGNITION COIL ASSY	1	1					
5	90480-25161	GROMMET	2	2					
6	97095-06020	BOLT	2	2					
7	92995-06600	WASHER	2	2					
8	6G8-82370-30	PLUG CAP ASSY	2	2					
9	62Y-82504-10	OIL PRESSURE SWITCH ASSY	1	1					
10	66M-82127-10	WIRE, LEAD 2	1	1					
11	65W-85410-01	EMERGENCY SIGNAL LIGHT ASSY	1	1					
12	6H1-83557-00	TUBE	1	1					
13	90465-06M88	CLAMP	1						
14	97095-06016	BOLT	1						
15	92995-06600	WASHER	1						

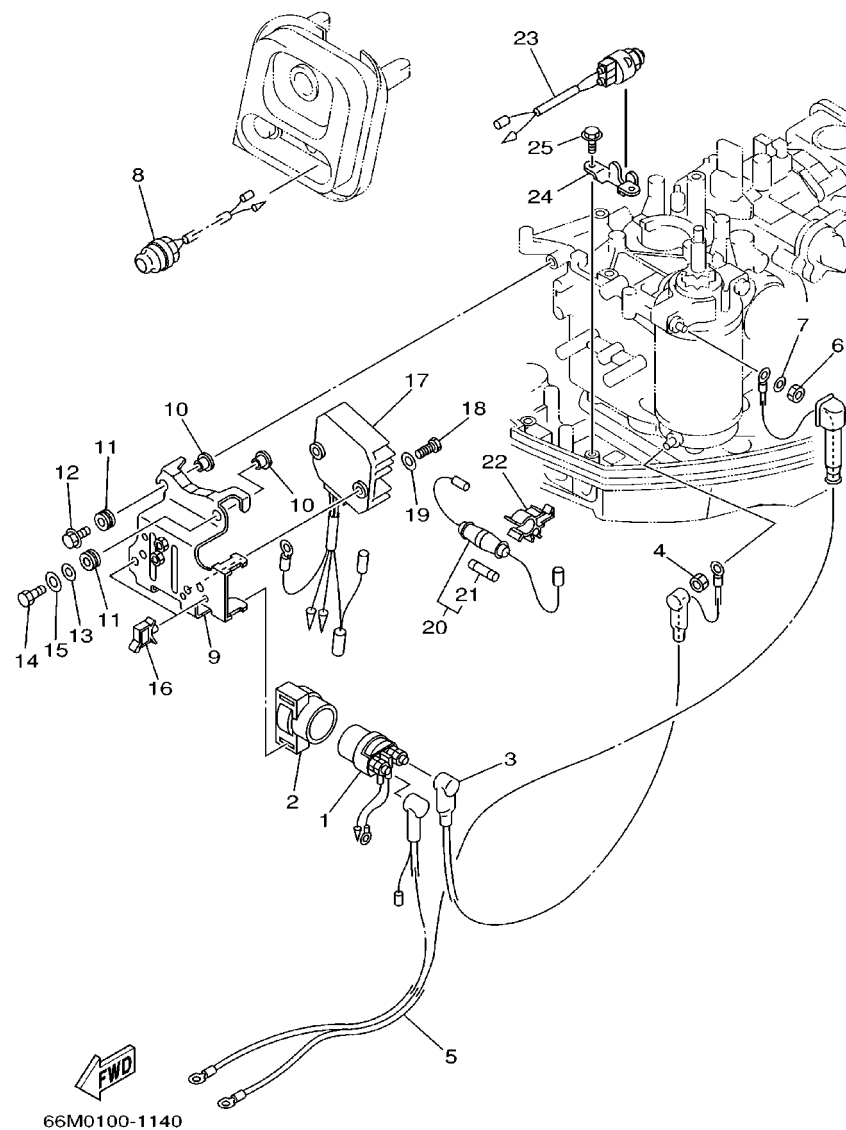
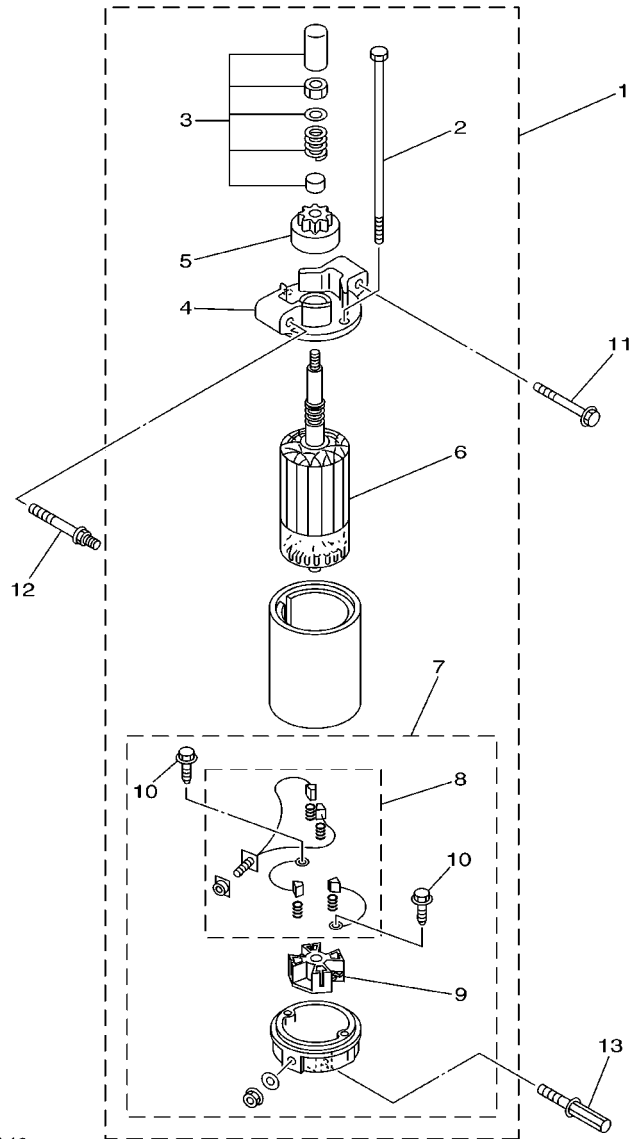


FIG. 14 ELECTRICAL 2

REF. NO.	PART NO.	DESCRIPTION	MH	EH	REMARKS
1	6G1-81941-10	STARTER RELAY ASSY		1	
2	6G1-81952-00	HOLDER, RELAY		1	
3	66M-82117-00	WIRE, LEAD		1	
4	65W-8182B-00	NUT, SPECIAL		1	
5	66M-82105-00	WIRE HARNESS		1	
6	95380-08700	NUT		1	
7	92990-08600	WASHER, PLATE		1	
8	65W-81870-00	STARTING SWITCH ASSY		1	
9	66M-85542-10	BRACKET		1	
10	90387-06M05	COLLAR		4	
11	90480-13M24	GROMMET		4	
12	95895-06020	BOLT, FLANGE		3	
13	90201-06M05	WASHER, PLATE		1	
14	97095-06025	BOLT		1	
15	92995-06600	WASHER		1	
16	90464-09M13	CLAMP		2	
17	6G8-81960-A1	RECTIFIER & REGULATOR ASSY		1	
18	97095-06016	BOLT		3	
19	92995-06600	WASHER		3	
20	6G8-82150-00	FUSE HOLDER ASSY		1	
21	663-82151-00	FUSE (12V-20A)		1	
22	6G5-82152-00	HOLDER, FUSE		1	
23	6H3-82540-00	NEUTRAL SWITCH ASSY		1	
24	6J8-82554-00	STAY, NEUTRAL SWITCH		1	
25	90109-06M86	BOLT		2	

FIG. 15 STARTING MOTOR

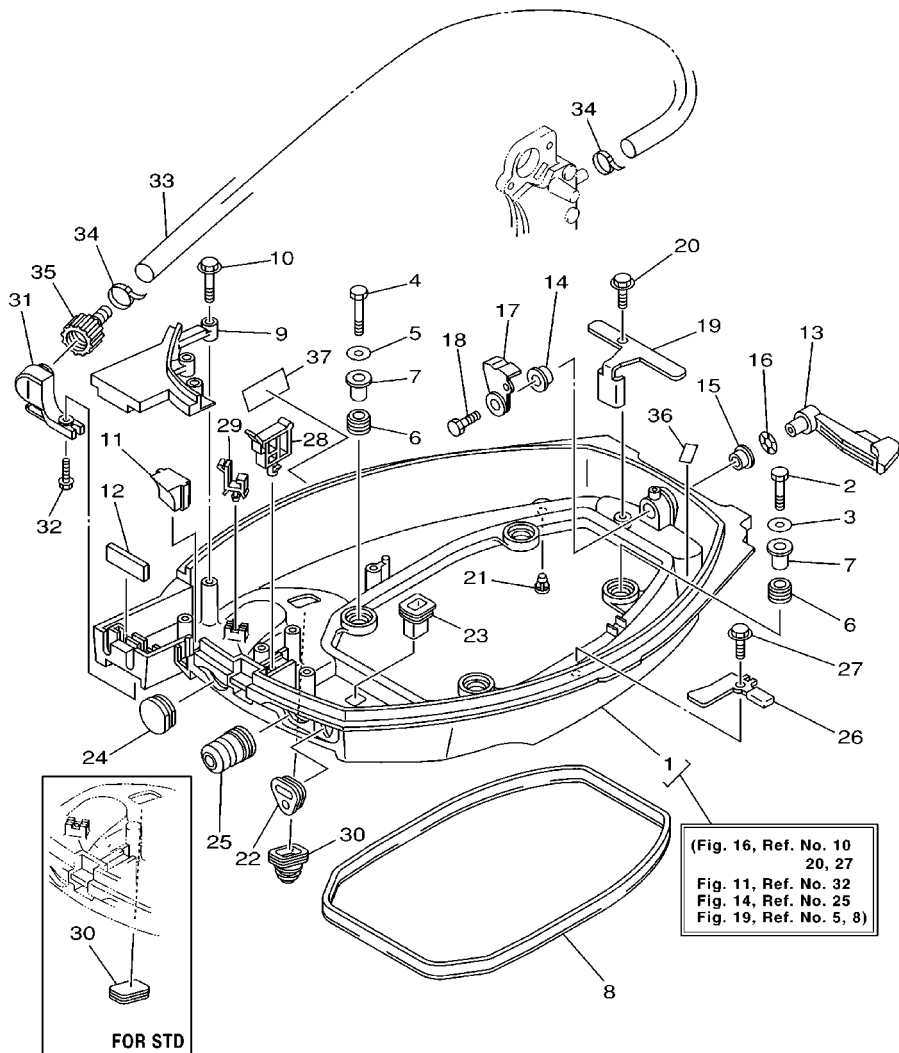


66M0010-0140

REF. NO.	PART NO.	DESCRIPTION	MH	EH				REMARKS
1	66M-81800-01	STARTING MOTOR ASSY		1				
2	65W-81826-00	.BOLT		2				
3	65W-81857-01	.RETAINER		1				
4	66M-81830-00	.FRONT BRACKET ASSY		1				
5	65W-81807-00	.GEAR ASSY, STARTING MOTOR		1				
6	65W-81850-01	.ARMATURE ASSY		1				
7	66M-81820-00	.REAR BRACKET ASSY		1				
8	65W-81801-00	..BRUSH SET		1				
9	65W-81840-00	..BRUSH HOLDER ASSY		1				
10	65W-8182S-00	..SCREW		2				
11	90119-08M39	BOLT, WITH WASHER		1				
12	90109-08M78	BOLT		1				
13	90109-08M85	BOLT		1				

D1

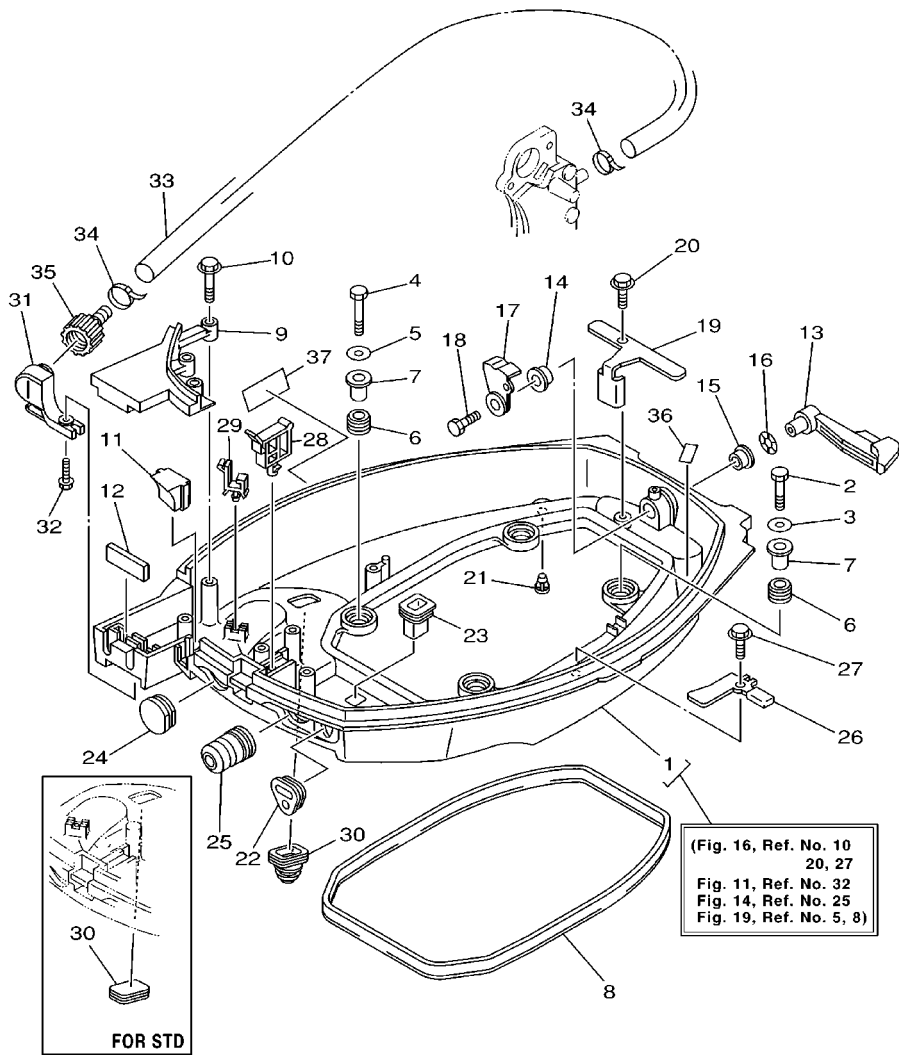
**FIG. 16 BOTTOM COWLING**



66M1100-2160

REF. NO.	PART NO.	DESCRIPTION	MH	EH	REMARKS
1	66M-42710-03-4D	BOTTOM COWLING ASSY	1	1	WITH TAPPING BOLT
2	97095-06035	BOLT	2	2	
3	92995-06600	WASHER	2	2	
4	97095-06025	BOLT	2	2	
5	92995-06600	WASHER	2	2	
6	90480-15M31	GROMMET	4	4	
7	90387-06M52	COLLAR	4	4	
8	66M-42716-00	RUBBER, SEAL 1	1	1	
9	66M-42738-00-4D	PLATE, FITTING	1	1	
10	90109-06M82	BOLT	3	3	
11	66M-42725-00	GROMMET	1		
	66M-42725-10	GROMMET		1	
12	65W-42727-00	GROMMET	1	1	
13	66M-42815-00-4D	LEVER, CLAMP	1	1	
14	90386-12M37	BUSH	1	1	
15	90386-12MA2	BUSH	1	1	
16	90206-12052	WASHER, WAVE	1	1	
17	6L2-42816-00	LEVER, CLAMP	1	1	
18	97095-06012	BOLT	1	1	
19	66M-42766-00	BRACKET 2	1	1	
20	90109-06M86	BOLT	1	1	
21	6H3-44391-01	NIPPLE, HOSE	1	1	
22	66M-26326-00	GROMMET	1	1	
23	682-42727-00	GROMMET	1	1	
24	682-42724-00	GROMMET	1	1	
25	65W-42726-00	GROMMET	1	1	
26	66M-42743-00	BRACKET	2	2	

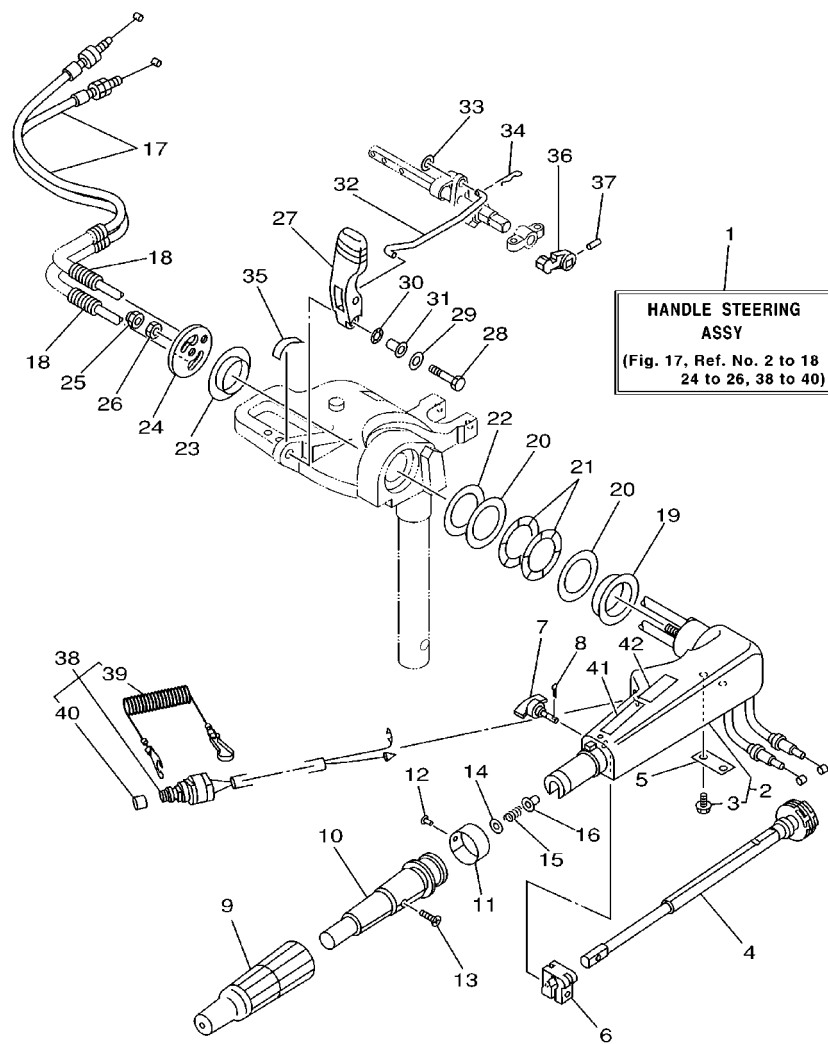
**FIG. 16 BOTTOM COWLING**



66M1100-2160

REF. NO.	PART NO.	DESCRIPTION	MH	EH	REMARKS
27	90109-06M86	BOLT	2	2	
28	90465-25M57	CLAMP	1	1	
29	90464-09M13	CLAMP	1	1	
30	688-42726-10	GROMMET	1	1	FOR FLUSHING KIT
	6H4-42726-00	GROMMET	1		FOR STD
31	65W-12572-00	ADAPTER	1	1	FLUSHING KIT
32	90109-06M81	BOLT	1	1	FLUSHING KIT
33	66M-12481-00	PIPE 1	1	1	FLUSHING KIT
34	90465-11M10	CLAMP	2	2	FLUSHING KIT
35	6R3-12580-00	JOINT ASSY	1	1	FLUSHING KIT
36	62Y-82377-00	LABEL	1	1	
37	6G8-13444-41	MARK	1	1	FOR USA,OCEANIA
	6G8-13444-51	MARK	1	1	FOR CANADA

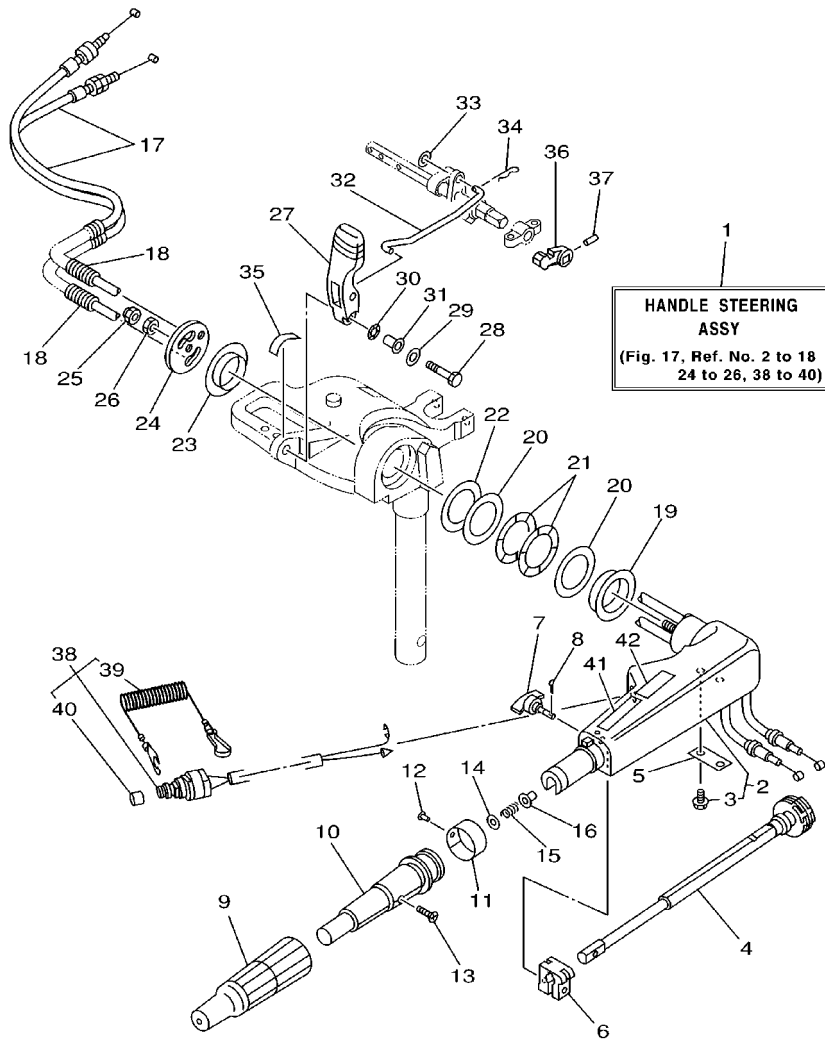




66M1100-2170

FIG. 17 STEERING

REF. NO.	PART NO.	DESCRIPTION	MH	EH				REMARKS
1	66M-W0084-00-4D	HANDLE STEERING ASSY	1	1				
2	65W-42101-01-4D	HANDLE, STEERING	1	1				
3	90109-06M86	.BOLT	2	2				
4	65W-42138-00	LEVER, THROTTLE	1	1				
5	65W-42159-00	STAY	1	1				
6	6G1-42126-00	FRICITION, STEERING HANDLE GRIP	1	1				
7	65W-42125-00	BOLT, FRICTION ADJUSTING	1	1				
8	91490-16010	PIN, COTTER	1	1				
9	66M-42177-00	RUBBER, HANDLE	1	1				
10	66M-42119-00	GRIP, STEERING HANDLE	1	1				
11	689-42137-20	INDICATOR, THROTTLE	1	1				
12	90269-02M09	RIVET	1	1				
13	90149-05M13	SCREW	1	1				
14	92903-10600	WASHER, PLATE	1	1				
15	90501-23215	SPRING, COMPRESSION	1	1				
16	90386-08032	BUSH	1	1				
17	66M-26311-00	CABLE, THROTTLE 1	2	2				
18	90446-10M87	HOSE	2	2				
19	90386-40MA0	BUSH	1	1				
20	90201-43M00	WASHER, PLATE	2	2				
21	90206-43M22	WASHER, WAVE	2	2				
22	90202-43M57	WASHER, PLATE	1	1				
23	90386-40M99	BUSH	1	1				
24	66M-42131-01	COVER, HANDLE STEERING	1	1				
25	95780-10300	NUT, FLANGE	1	1				
26	95380-10700	NUT	1	1				
27	66M-44111-01	HANDLE, GEAR SHIFT	1	1				

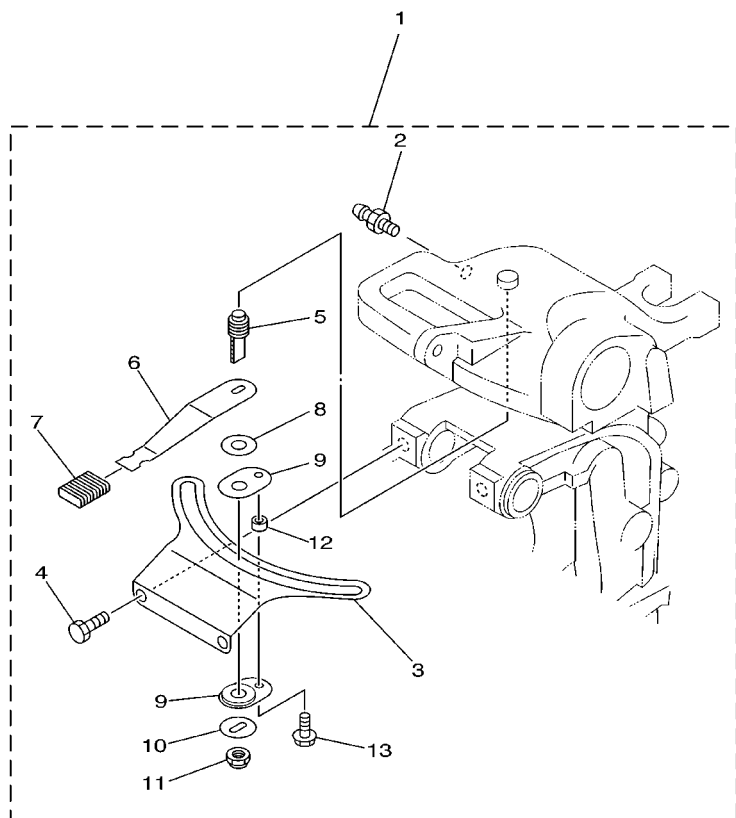


66M1100-2170

FIG. 17 STEERING

REF. NO.	PART NO.	DESCRIPTION	MH	EH				REMARKS
28	97095-06030	BOLT	1	1				
29	92995-06600	WASHER	1	1				
30	90206-10M04	WASHER, WAVE	1	1				
31	90387-06M78	COLLAR	1	1				
32	66M-44124-00	LINK, SHIFT ROD	1	1				
33	92990-06200	WASHER, PLAIN	1	1				
34	90468-18008	CLIP	1	1				
35	6E0-44191-11	INDICATOR, SHIFT	1	1				
36	65W-44173-00	LEVER, SHIFT CONTROL	1	1				FOR NEUTRAL SW.
37	90254-03M05	PIN, SPRING	1	1				FOR NEUTRAL SW.
38	65W-82575-01	ENGINE STOP SWITCH ASSY	1	1				
39	682-82556-00	.STOPPER	1	1				
40	689-8257Y-00	.CAP	1	1				
41	6E0-83627-41	LABEL, CAUTION 7	1	1				
42	6E0-83627-51	LABEL, CAUTION 7	1	1				FOR CANADA

**FIG. 18 STEERING FRICTION**

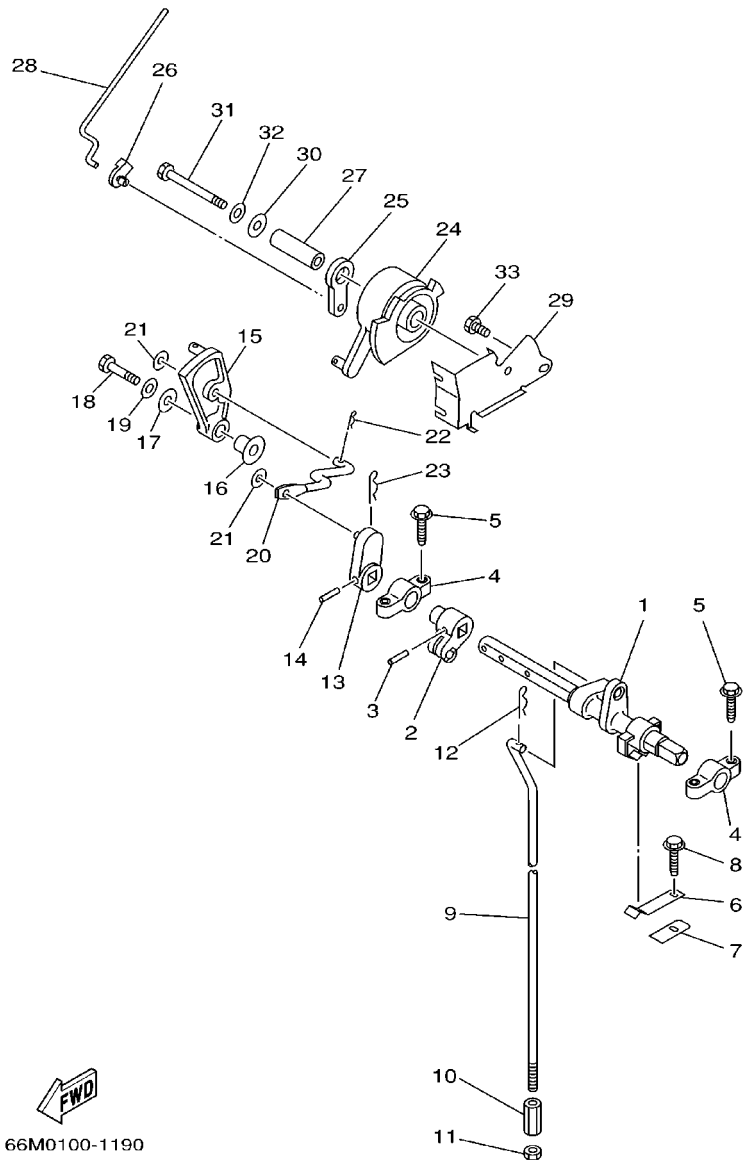


REF. NO.	PART NO.	DESCRIPTION	MH	EH				REMARKS
1	66M-42508-01	STEERING FRICTION ASSY	1	1				FOR USA,CANADA
2	93700-06M03	.NIPPLE, GREASE	1	1				
3	66M-42527-00	.PLATE, FRICTION	1	1				
4	90109-08M91	.BOLT	2	2				
5	65W-42562-00	.SHAFT, STEERING LOCK	1	1				
6	66M-42561-00	.KNOB, STEERING LOCK	1	1				
7	689-43633-00	.COVER, TILT LEVER	1	1				
8	90202-10M56	.WASHER, PLATE	1	1				
9	65W-42528-00	.PLATE, FRICTION	2	2				
10	90209-10M26	.WASHER	1	1				
11	90185-10M14	.NUT, SELF-LOCKING	1	1				
12	90387-05M11	.COLLAR	1	1				
13	90119-05M03	.BOLT, WITH WASHER	1	1				



66M0010-8170

FIG. 19 CONTROL

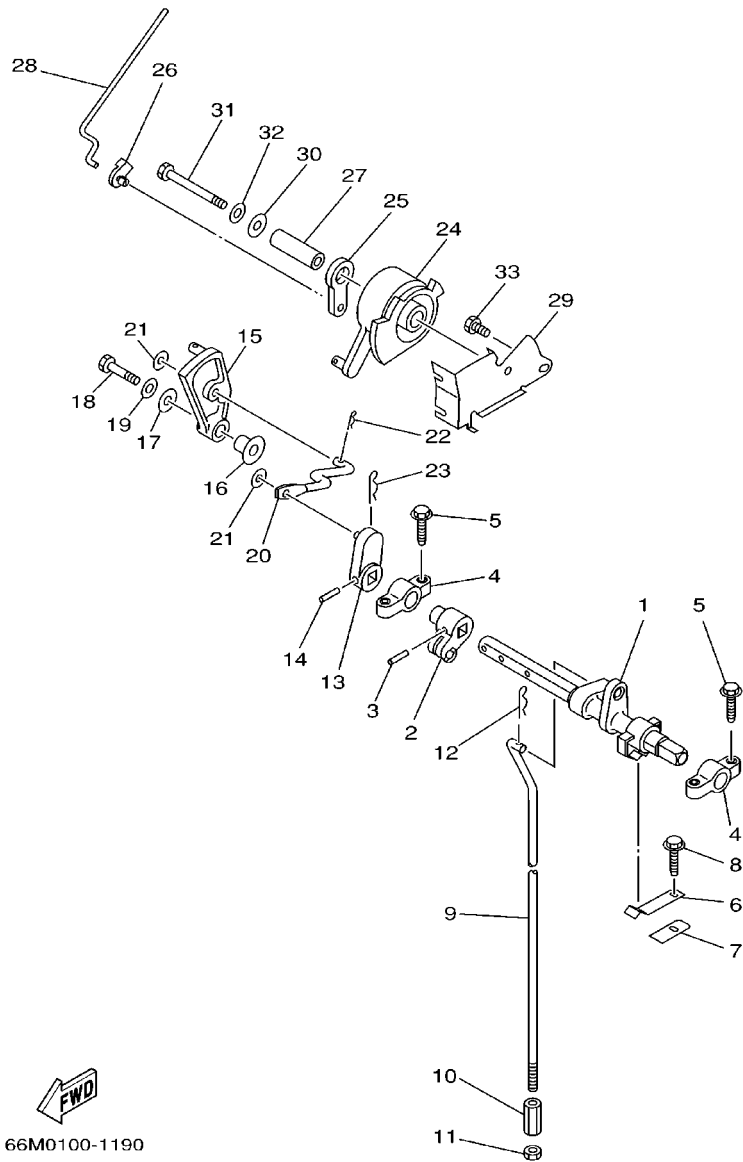


66M0100-1190

REF. NO.	PART NO.	DESCRIPTION	MH	EH				REMARKS
1	65W-44121-00	LEVER, SHIFT ROD	1	1				
2	66M-44122-00	BUSHING, SHIFT ROD LEVER	1	1				
3	90254-03M05	PIN, SPRING	1	1				
4	6F5-41662-00	BRACKET	2	2				
5	90109-06M81	BOLT	4	4				
6	65W-44116-00	SPRING	1	1				
7	66R-44114-00	STOPPER	1	1				
8	90109-06M86	BOLT	1	1				
9	66M-44143-00	ROD, SHIFT	1	1				S
	66M-44143-10	ROD, SHIFT	1	1				L
10	90170-06015	NUT	1	1				
11	95380-06700	NUT	1	1				
12	90468-18008	CLIP	1	1				
13	65W-44142-00	JOINT	1	1				
14	90254-03M05	PIN, SPRING	1	1				
15	65W-44125-00	LEVER, SHIFT ROD	1	1				
16	90387-06M29	COLLAR	1	1				
17	90201-06M31	WASHER, PLATE	1	1				
18	97095-06025	BOLT	1	1				
19	92995-06600	WASHER	1	1				
20	66M-44192-00	JOINT, ROD 1	1	1				
21	90201-05M06	WASHER, PLATE	2	2				
22	90468-10005	CLIP	1	1				
23	90468-18008	CLIP	1	1				
24	65W-41638-00	PULLEY	1	1				
25	65W-41283-00	LEVER, FREE ACCEL.	1	1				
26	661-41262-02	JOINT, CHOKE LEVER	1	1				

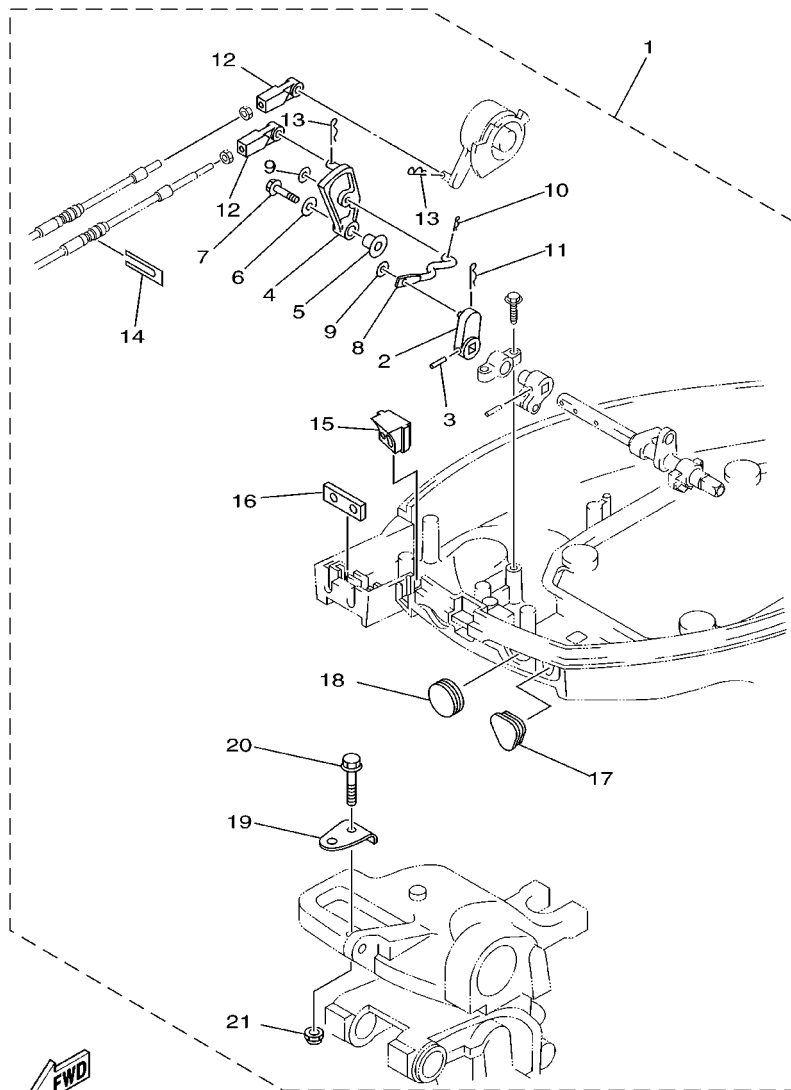
FIG. 19 CONTROL

REF. NO.	PART NO.	DESCRIPTION	MH	EH					REMARKS
27	90387-06M08	COLLAR	1	1					
28	66M-41211-00	LINK, ACCEL.	1	1					
29	65W-14497-01	STAY, THROTTLE WIRE	1	1					
30	90201-06M31	WASHER, PLATE	1	1					
31	97095-06055	BOLT	1	1					
32	92995-06600	WASHER	1	1					
33	97095-06010	BOLT	1	1					



66M0100-1190

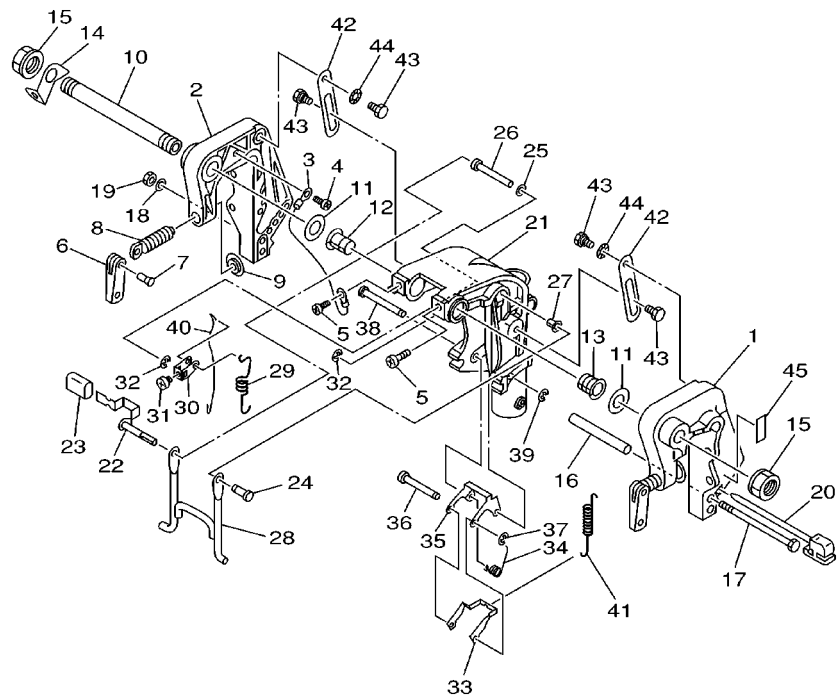
**FIG. 20 REMOTE CONTROL ATTACHMENT**



66M0010-9190

REF. NO.	PART NO.	DESCRIPTION	MH	EH				REMARKS
1	66M-48501-00	REMOTE CONT. ATTACHMENT ASSY.	1	1				AP
2	65W-44142-00	.JOINT	1	1				
3	90254-03M05	.PIN, SPRING	1	1				
4	65W-44125-00	.LEVER, SHIFT ROD	1	1				
5	90387-06M29	.COLLAR	1	1				
6	90201-06M31	.WASHER, PLATE	1	1				
7	97595-06525	.BOLT, WITH WASHER	1	1				
8	66M-44192-00	.JOINT, ROD 1	1	1				
9	90201-05M06	.WASHER, PLATE	2	2				
10	90468-10005	.CLIP	1	1				
11	90468-18008	.CLIP	1	1				
12	663-48344-00	.CABLE END, REMOTE CONTROL	2	2				
13	90468-18008	.CLIP	2	2				
14	6H3-48538-00	.CLAMP, CABLE 1	1	1				
15	66M-42725-20	.GROMMET	1	1				
16	62Y-42727-00	.GROMMET	1	1				
17	65W-26326-10	.GROMMET	1	1				
18	65W-42726-10	.GROMMET	1	1				
19	63V-48511-01	.HOOK, STEERING	1	1				
20	97575-08535	.BOLT, WITH WASHER	1	1				
21	90185-08057	.NUT, SELF-LOCKING	1	1				

FIG. 21 BRACKET 1

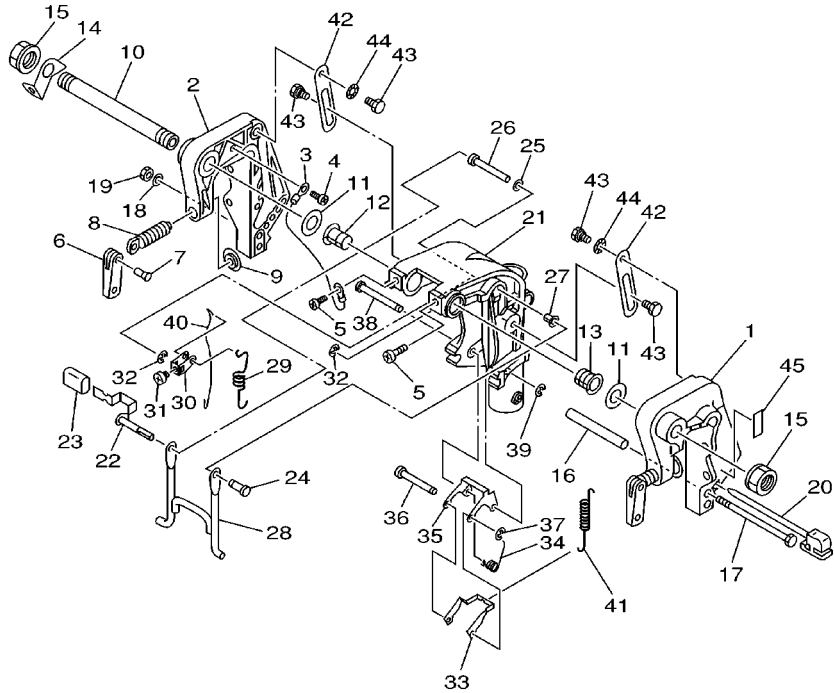


REF. NO.	PART NO.	DESCRIPTION	MH	EH			REMARKS
1	63V-43111-05-4D	BRACKET, CLAMP	1	1			
2	63V-43112-06-4D	BRACKET, CLAMP	1	1			
3	66M-82148-00	WIRE, LEAD 4	1	1			
4	97885-06008	SCREW, PAN HEAD	1	1			
5	97885-08010	SCREW, PAN HEAD	2				FOR OCEANIA
6	6E0-43118-01	HANDLE, TRANSOM CLAMP	2	2			
7	90243-04M01	PIN	2	2			
8	6E7-43116-00	SCREW, TRANSOM CLAMP	2	2			
9	648-43114-01	PAD, TRANSOM CLAMP	2	2			
10	63W-43131-01	BOLT, CLAMP BRACKET	1	1			
11	90202-22M54	WASHER, PLATE	2	2			
12	90386-22M94	BUSH	1	1			
13	90386-22M94	BUSH	1	1			
14	66R-43113-00	PLATE, CLAMP BRACKET	1	1			
15	90185-22043	NUT, SELF-LOCKING	2	2			
16	90387-06M13	COLLAR	1	1			
17	90101-06M29	BOLT	1	1			
18	92995-06600	WASHER	1	1			
19	95380-06700	NUT	1	1			
20	6L2-43160-00	TILT ROD ASSY	1	1			
21	63V-43311-03-4D	BRACKET, SWIVEL 1	1	1			S
	66M-43311-10-4D	BRACKET, SWIVEL 1	1	1			L
22	66M-43630-01	TILT LEVER ASSY	1	1			
23	682-43318-01	COVER	1	1			
24	63V-43191-00	SHAFT, STOPPER	1	1			
25	90202-07M60	WASHER, PLATE	1	1			
26	90387-07M07	COLLAR	1	1			



66M1100-2210

FIG. 21 BRACKET 1



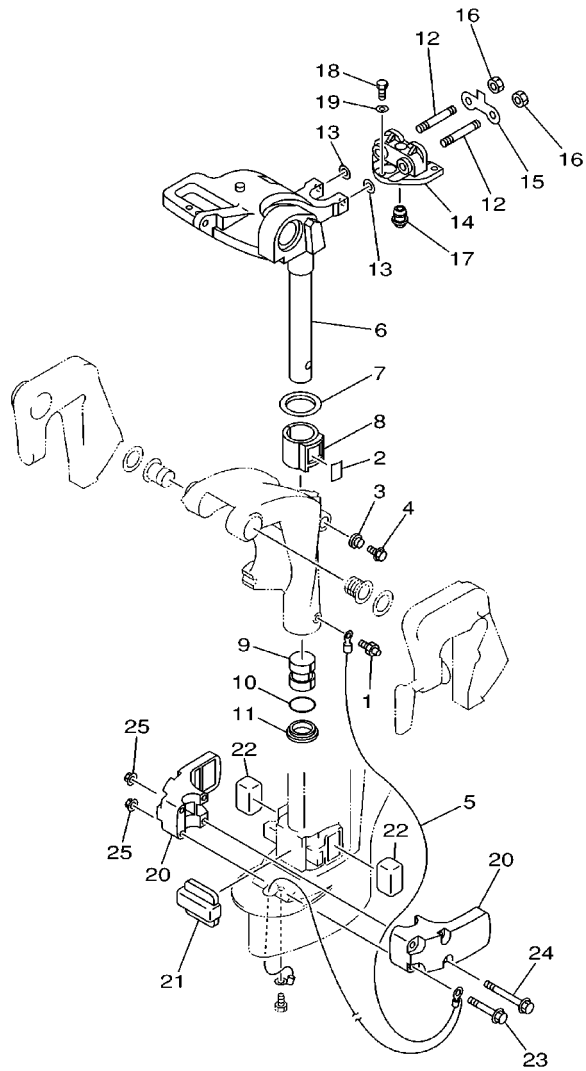
REF. NO.	PART NO.	DESCRIPTION	MH	EH				REMARKS
27	90386-07M95	BUSH	1	1				
28	66M-43350-01	RECEIVER ASSY	1	1				
29	90507-20M00	SPRING, TENSION	1	1				
30	63V-43641-01	LEVER, TILT	1	1				
31	90157-05014	SCREW, PAN HEAD	1	1				
32	99080-05600	CIRCLIP	2	2				
33	63V-43614-10	PLATE, TILT LOCK	1	1				
34	90508-18M41	SPRING, TORSION	1	1				
35	66R-43615-00	PLATE, TILT LOCK	1	1				
36	66R-43611-00	SHAFT, TILT LOCK	1	1				
37	93430-04M03	CIRCLIP	1	1				
38	63V-43659-00	SHAFT, REVERSE LOCK	1	1				
39	99080-05600	CIRCLIP	1	1				
40	66R-43617-00	ROD, TILT LOCK	1	1				
41	63V-43656-00	SPRING, REVERSE LOCK 1	1	1				
42	63V-43181-00	LEVER, TILT STOP	2	2				
43	90109-06M84	BOLT	4	4				
44	90206-10M24	WASHER, WAVE	2	2				
45	63V-82377-50	LABEL (SPARK,IGNITION)	1	1				FOR CANADA



66M1100-2210



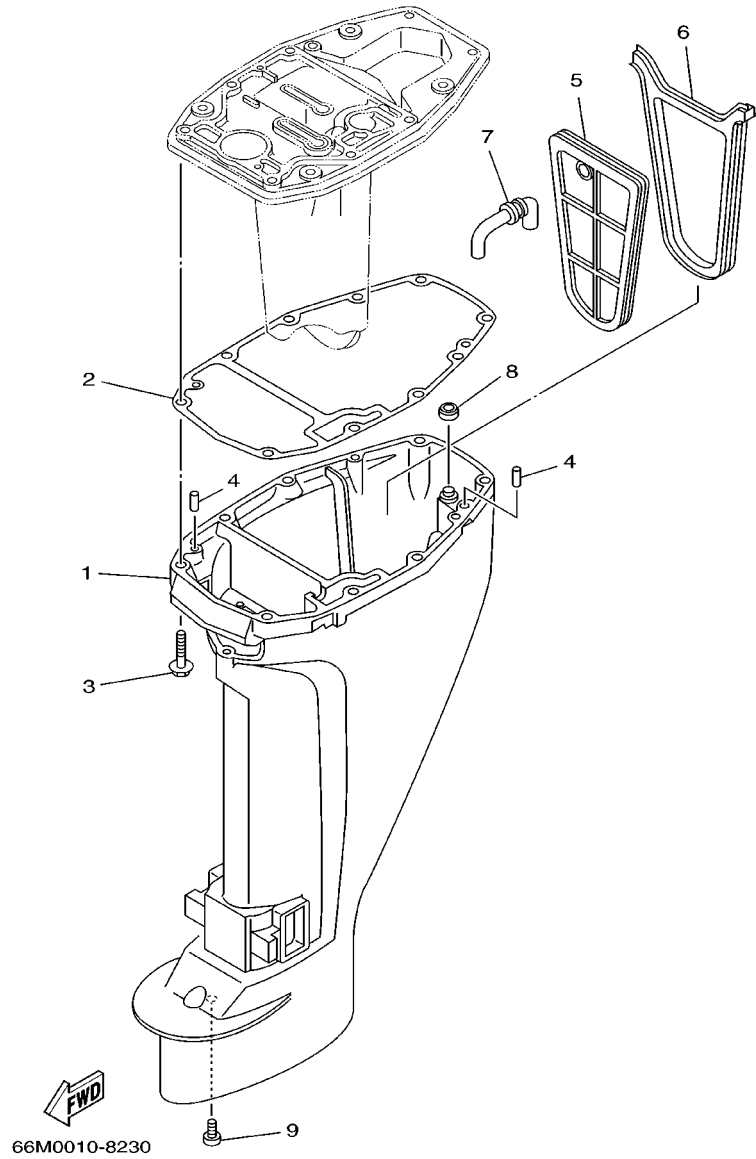
FIG. 22 BRACKET 2



66M0010-1220

REF. NO.	PART NO.	DESCRIPTION	MH	EH				REMARKS
1	93700-06M03	NIPPLE, GREASE	1	1				
2	63V-42528-00	PLATE, FRICTION	1	1				
3	689-43373-01	SEAL, DAMPER	1	1				
4	90105-06M07	BOLT, WASHER BASED	1	1				
5	66M-82127-00	WIRE, LEAD 2	1	1				
6	66M-42511-01-4D	BRACKET, STEERING	1	1				S
	66M-42511-11-4D	BRACKET, STEERING	1	1				L
7	90209-40008	WASHER	1	1				
8	65F-42537-00	BUSHING, PIVOT SHAFT	1	1				
9	90386-30048	BUSH	1	1				
10	93210-29M94	O-RING	1	1				
11	90386-30M60	BUSH	1	1				
12	90116-08M54	BOLT, STUD	2	2				
13	90201-08M06	WASHER, PLATE	2	2				
14	66M-44514-00-4D	MOUNT DAMPER, UPPER SIDE	1	1				
15	66M-44526-00	PLATE	1	1				
16	95380-08600	NUT	2	2				
17	66M-44366-00	DAMPER, WATER SEAL	1	1				
18	97075-06025	BOLT	3	3				
19	92995-06600	WASHER	3	3				
20	66M-44551-00-4D	HOUSING, LOWER MOUNT RUBBER	2	2				
21	66M-44557-00	MOUNT DAMPER, LOWER FRONT	1	1				
22	682-44555-30	MOUNT DAMPER, LOWER SIDE	2	2				
23	90119-08M45	BOLT, WITH WASHER	2	2				
24	90119-08M46	BOLT, WITH WASHER	2	2				
25	90179-08M34	NUT	4	4				

**FIG. 23 UPPER CASING**



REF. NO.	PART NO.	DESCRIPTION	MH	EH				REMARKS
1	66M-45111-00-4D	CASING, UPPER	1	1				S
	66M-45111-10-4D	CASING, UPPER	1	1				L
2	66M-45113-00	GASKET, UPPER CASING	1	1				
3	97575-08545	BOLT, WITH WASHER	6	6				
4	93606-12019	PIN, DOWEL	2	2				
5	66M-45126-00	PLATE, SEAL DAMPER	1	1				
6	66M-45115-00	GASKET, UPPER CASING	1	1				
7	66M-45136-00	PIPE	1	1				
8	66M-45128-00	SEAL 2	1	1				
9	90157-06M06	SCREW, PAN HEAD	1	1				

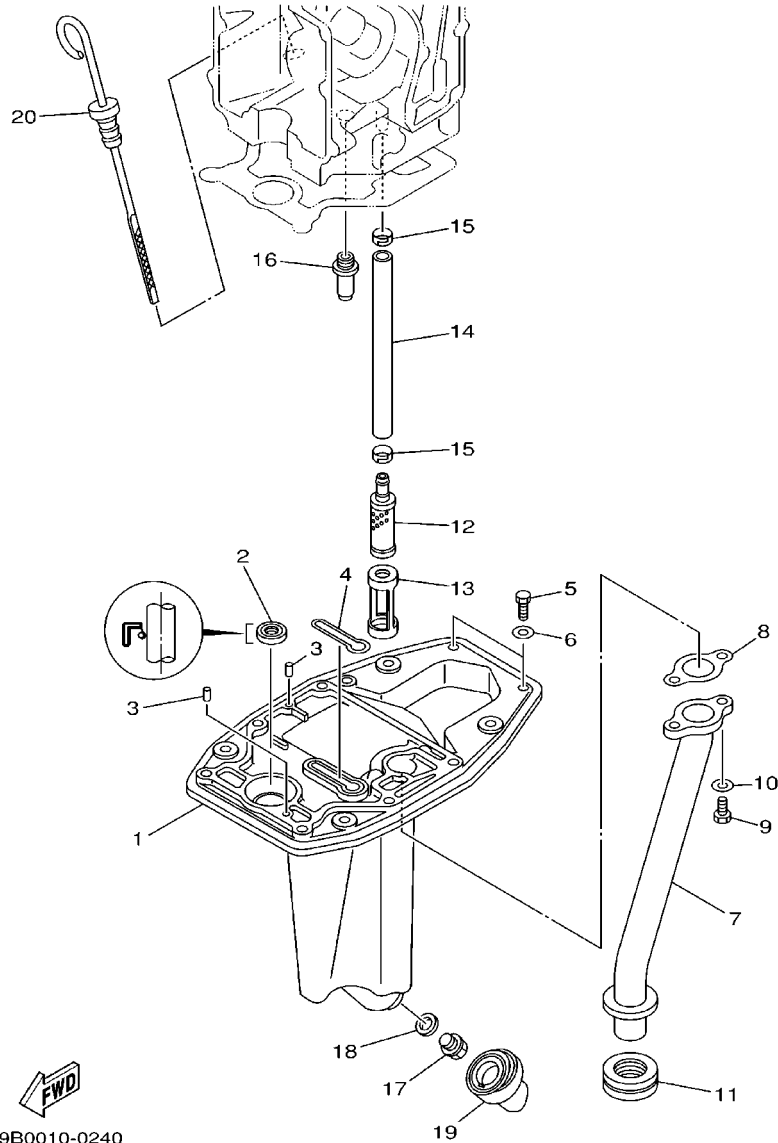
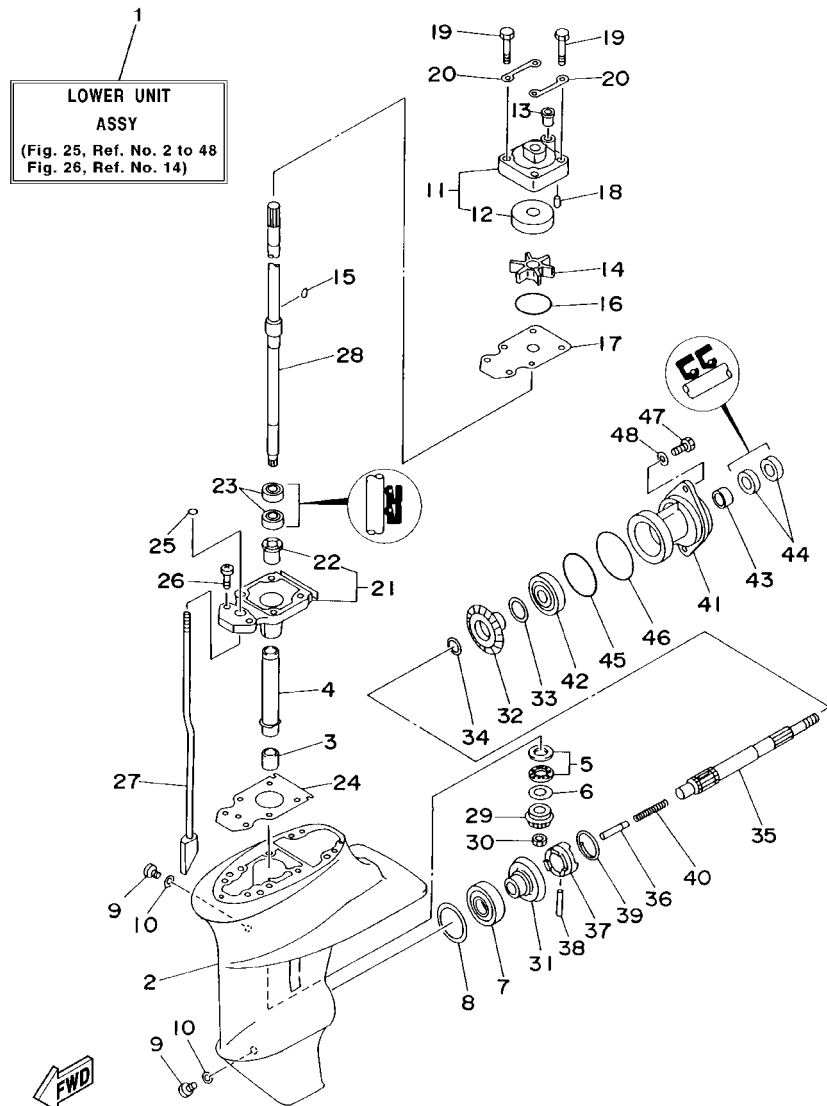


FIG. 24 OIL PAN

REF. NO.	PART NO.	DESCRIPTION	MH	EH				REMARKS
1	66M-41137-00-5B	GUIDE, EXHAUST	1	1				
2	93101-12M63	OIL SEAL	1	1				
3	93606-12019	PIN, DOWEL	2	2				
4	66M-11355-00	SEAL, CYLINDER 1	1	1				
5	97095-06020	BOLT	2	2				
6	92995-06600	WASHER	2	2				
7	66M-41131-01-94	MANIFOLD, EXT. 1	1	1				
8	66M-41133-00	GASKET, EXHAUST MANIFOLD 1	1	1				
9	97095-06016	BOLT	2	2				
10	92995-06600	WASHER	2	2				
11	66M-41138-00	SEAL, EXT. 1	1	1				
12	66M-13421-00	STRAINER 2	1	1				
13	66M-13417-00	COVER, STRAINER	1	1				
14	66M-13416-00	PIPE, OIL 1	1	1				
15	66M-24351-00	BAND 1	2	2				
16	6G8-11575-00	RELIEF VALVE ASSY	1	1				
17	90340-14M06	PLUG, STRAIGHT SCREW	1	1				
18	90430-14M09	GASKET	1	1				
19	66M-15316-00	DAMPER, ENGINE MOUNT 1	1	1				
20	66M-15362-00	PLUG, OIL LEVEL	1	1				

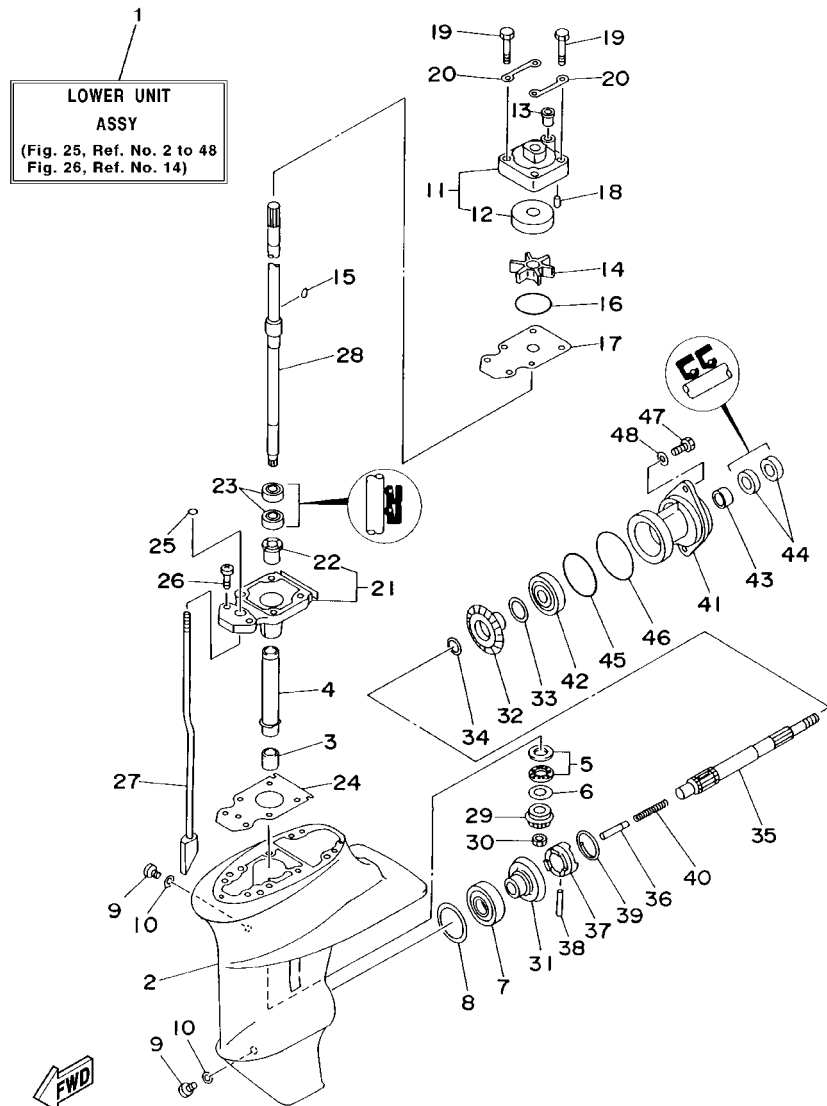
FWD  
69B0010-0240



66M0100-1250

FIG. 25 LOWER CASING, DRIVE 1

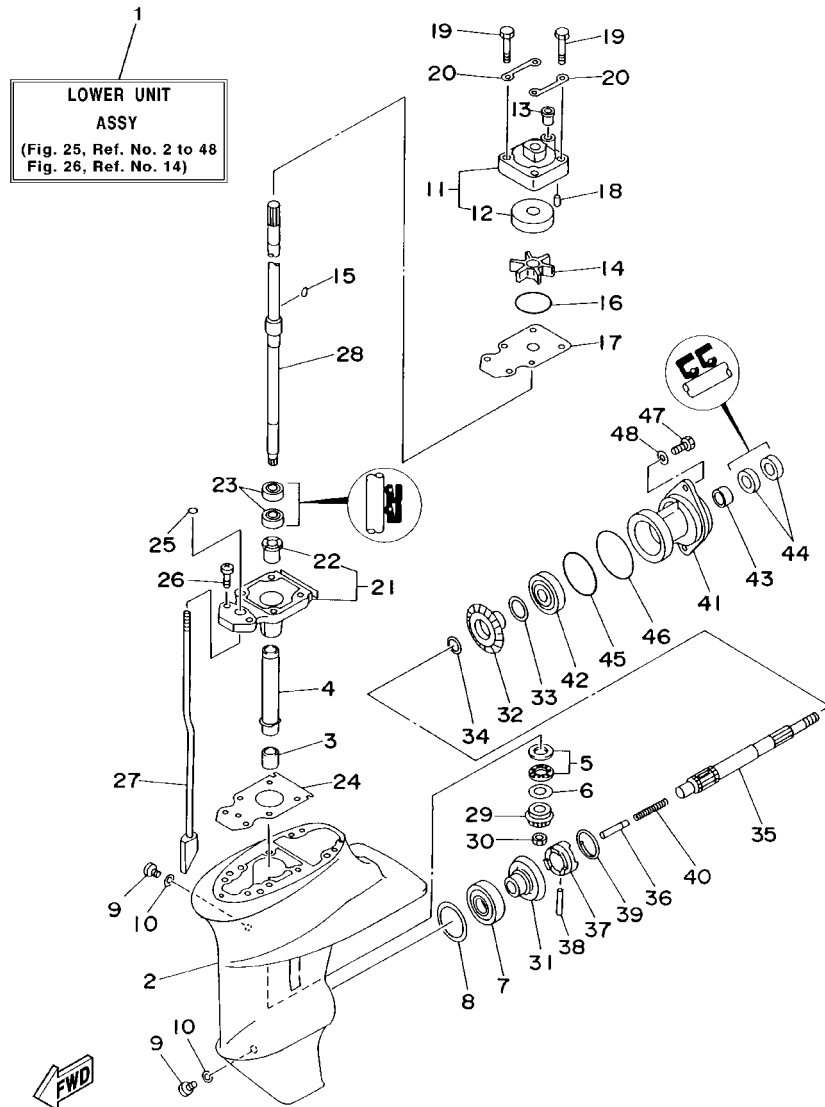
REF. NO.	PART NO.	DESCRIPTION	MH	EH		REMARKS
1	66M-45300-01-4D	LOWER UNIT ASSY	1	1		S
	66M-45300-11-4D	LOWER UNIT ASSY	1	1		L
2	66M-45311-00-4D	CASING, LOWER	1	1		S
	63V-45311-01-4D	CASING, LOWER	1	1		L
3	93315-314V8	BEARING	1	1		
4	63V-45536-00	SLEEVE, DRIVE SHAFT	1	1		
5	93341-41414	BEARING	1	1		
6	6E8-45587-10-13	SHIM (T:1.13MM)	1	1		UR
	6E8-45587-10-20	SHIM (T:1.20MM)	1	1		UR
7	93332-00005	BEARING	1	1		
8	664-45567-01-10	SHIM (T:0.10MM)	1	1		UR
	664-45567-01-12	SHIM (T:0.12MM)	1	1		UR
	664-45567-01-15	SHIM (T:0.15MM)	1	1		UR
	664-45567-01-18	SHIM (T:0.18MM)	1	1		UR
	664-45567-01-30	SHIM (T:0.30MM)	1	1		UR
	664-45567-01-40	SHIM (T:0.40MM)	1	1		UR
	664-45567-01-50	SHIM (T:0.50MM)	1	1		UR
9	90340-08M04	PLUG, STRAIGHT SCREW	2	2		
10	90430-08020	GASKET	2	2		
11	63V-44301-00	WATER PUMP HOUSING COMP.	1	1		
12	63V-44322-00	INSERT, CARTRIDGE	1	1		
13	647-44366-00	DAMPER, WATER SEAL	1	1		
14	63V-44352-01	IMPELLER	1	1		
15	664-44338-00	KEY, WOODRUFF	1	1		
16	93210-44398	O-RING	1	1		
17	63V-44323-00	OUTER PLATE, CARTRIDGE	1	1		
18	93604-12M07	PIN, DOWEL	2	2		



66M0100-1250

FIG. 25 LOWER CASING, DRIVE 1

REF. NO.	PART NO.	DESCRIPTION	MH	EH				REMARKS
19	97080-08045	BOLT	4	4				
20	63V-44328-00	PLATE	2	2				
21	63V-45331-00-5B	HOUSING, BEARING	1	1				
22	90381-14020	.BUSH, SOLID	1	1				
23	93101-20048	OIL SEAL	2	2				
24	63V-45315-A0	PACKING, LOWER CASING	1	1				
25	93210-06ME6	O-RING	1	1				
26	97080-08025	BOLT	2	2				
27	63V-44150-00	SHIFT CAM ASSY	1	1				S
	66M-44150-10	SHIFT CAM ASSY	1	1				L
28	63V-45510-01	DRIVE SHAFT ASSY	1	1				S
	63V-45510-11	DRIVE SHAFT ASSY	1	1				L
29	63V-45551-00	PINION	1	1				
30	90179-08M06	NUT	1	1				
31	6E7-45560-01	GEAR	1	1				
32	6E7-45571-00	GEAR	1	1				
33	626-45577-00-01	SHIM (T:0.10MM)	1	1				UR
	626-45577-00-03	SHIM (T:0.30MM)	1	1				UR
	626-45577-00-05	SHIM (T:0.50MM)	1	1				UR
34	90201-17682	WASHER, PLATE	1	1				
35	683-45611-00	SHAFT, PROPELLER	1	1				
36	650-45635-00	PLUNGER, SHIFT	1	1				
37	682-45631-00	CLUTCH, DOG	1	1				
38	90250-05010	PIN, STRAIGHT	1	1				
39	648-45633-00	RING, CROSS PIN	1	1				
40	90501-14M06	SPRING, COMPRESSION	1	1				
41	683-45361-02-4D	CAP, LOWER CASING	1	1				

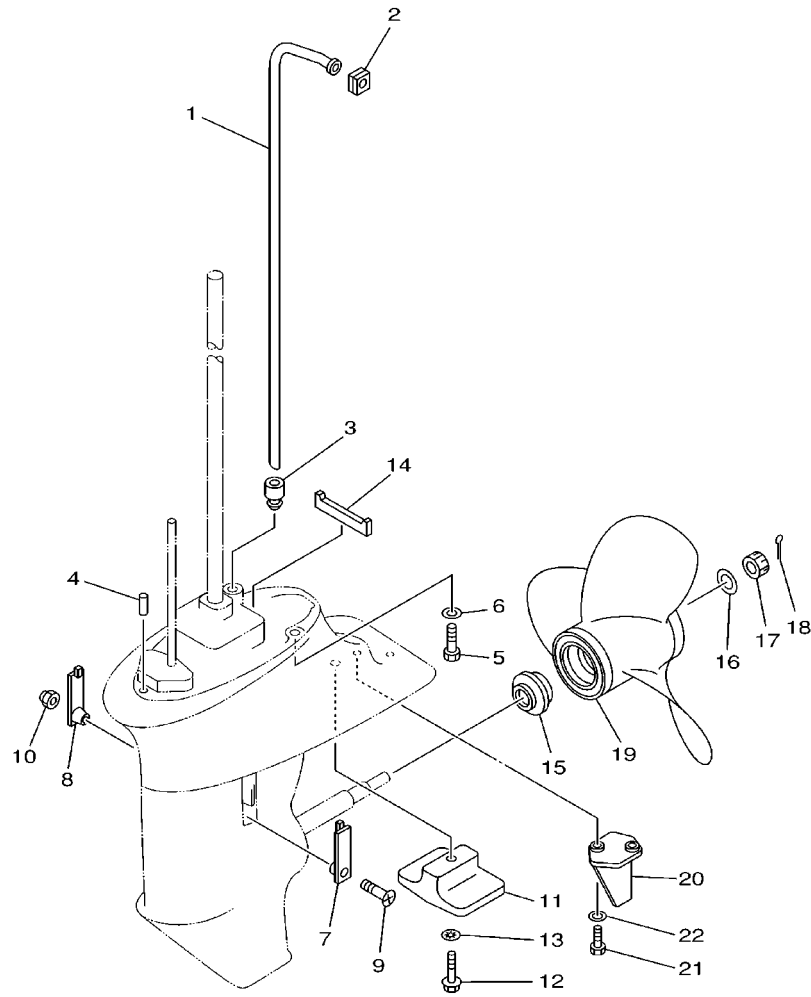


66M0100-1250

FIG. 25 LOWER CASING. DRIVE 1

REF. NO.	PART NO.	DESCRIPTION	MH	EH				REMARKS
42	93306-00501	BEARING (B6005)	1	1				
43	93315-317U2	BEARING	1	1				
44	93101-17054	OIL SEAL	2	2				
45	93210-57M09	O-RING	1	1				
46	93210-56M80	O-RING	1	1				
47	97095-06020	BOLT	2	2				
48	92995-06600	WASHER	2	2				

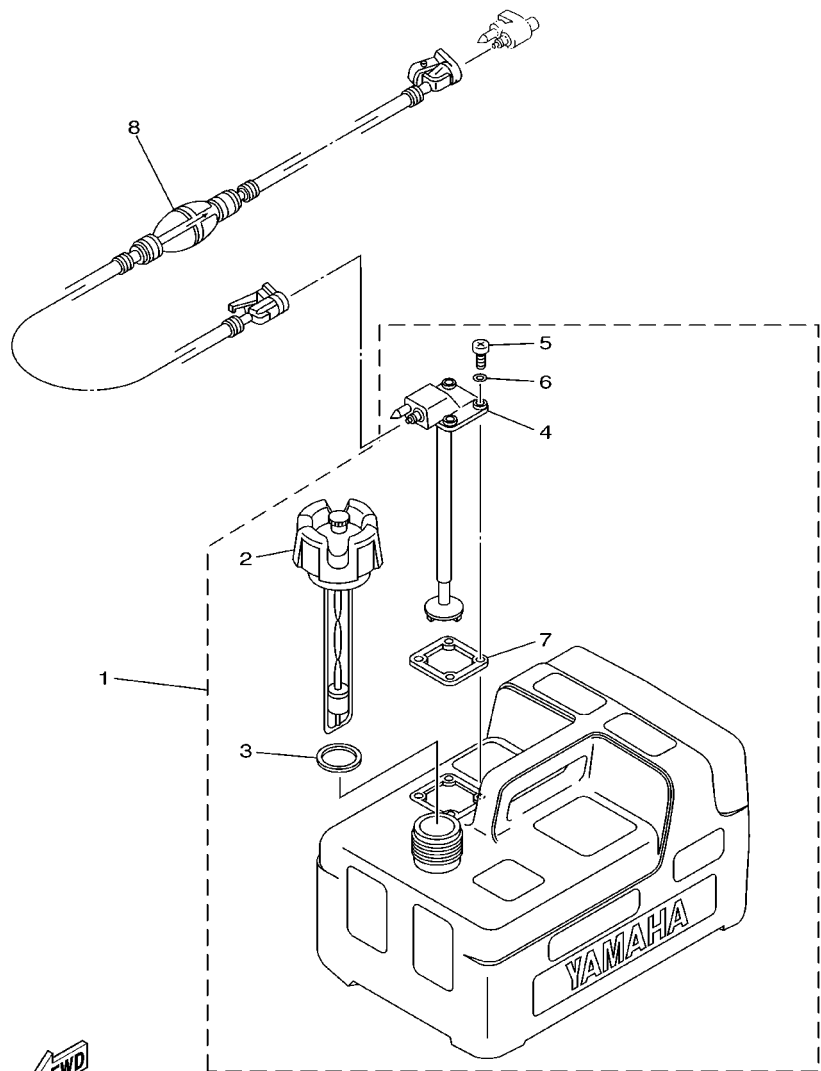
FIG. 26 LOWER CASING, DRIVE 2



69A0300-0230

REF. NO.	PART NO.	DESCRIPTION	MH	EH				REMARKS
1	66M-44361-00	TUBE, WATER	1	1				S
	66M-44361-10	TUBE, WATER	1	1				L
2	63V-44365-10	DAMPER, WATER SEAL	1	1				
3	63V-44368-00	RUBBER, WATER SEAL 4	1	1				
4	93604-12M07	PIN, DOWEL	2	2				
5	97075-08030	BOLT	4	4				
6	92995-08600	WASHER	4	4				
7	6G1-45214-00	COVER, WATER INLET	1	1				
8	63V-45215-00	COVER, WATER INLET	1	1				
9	90152-05M04	SCREW, COUNTERSUNK	1	1				
10	90185-05002	NUT, SELF-LOCKING	1	1				
11	61N-45251-00	ANODE	1	1				
12	95895-06030	BOLT, FLANGE	1	1				
13	92990-06300	WASHER, INTERNAL TOOTH	1	1				
14	63V-45375-00	DAMPER, SEAL	1	1				
15	6E7-45987-01	SPACER	1	1				
16	90201-10M01	WASHER, PLATE	1	1				
17	90171-10M01	NUT, CASTLE	1	1				
18	91490-30020	PIN, COTTER	1	1				
19	63V-45947-00-EL	PROPELLER (3X9-1/4"X8"-J)	1	1				UR
	683-45941-00-EL	PROPELLER (3X9-1/4"X12"-J)	1	1				UR
	683-45943-00-EL	PROPELLER (3X9-1/4"X10-1/2"-J)	1	1				UR
	683-45945-00-EL	PROPELLER (3X9-1/4"X9"-J)	1	1				UR
	683-45952-00-EL	PROPELLER (3X9-1/4"X9-3/4"-J)	1	1				UR
20	66M-45371-00	TAB-TRIM	1	1				S
21	97095-06016	BOLT	2	2				S
22	92995-06600	WASHER	2	2				S

FIG. 27 FUEL TANK



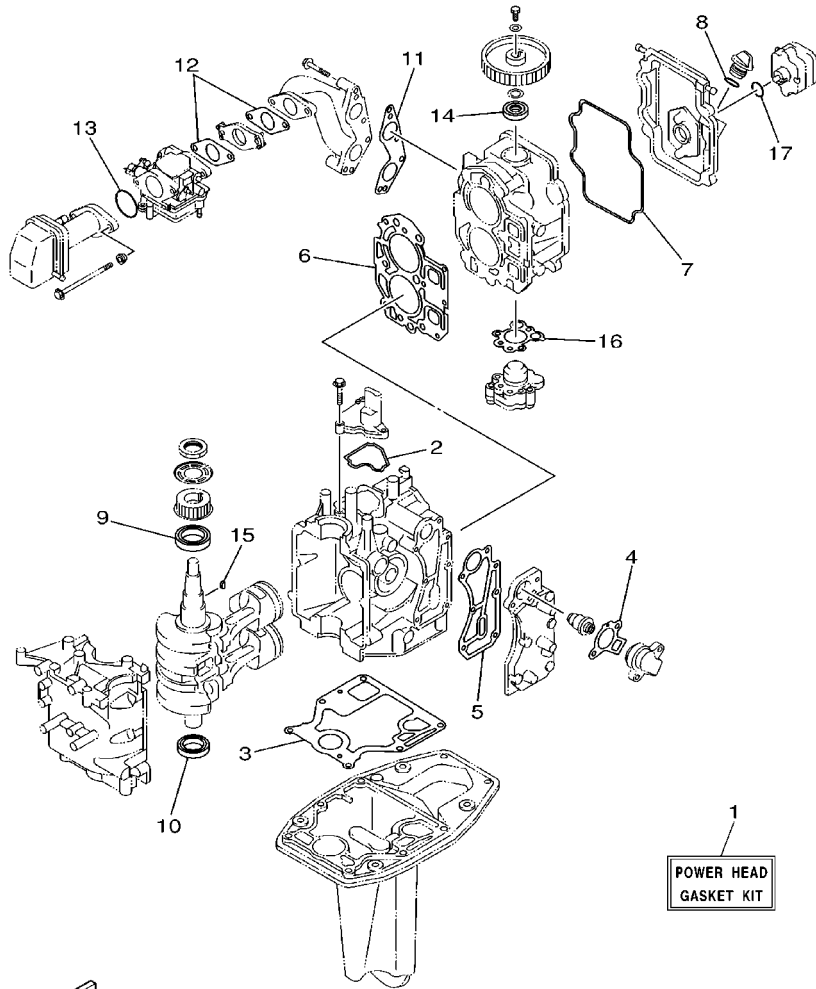
REF. NO.	PART NO.	DESCRIPTION	MH	EH	REMARKS
1	6YL-24201-02	FUEL TANK ASSY	1	1	AP FOR CANADA, OCEANIA
2	6YL-24610-00	.CAP ASSY	1	1	
3	6YL-24641-00	.GASKET, CAP 1	1	1	
4	6YL-24260-01	.FUEL METER ASSY	1	1	
5	90157-05M16	.SCREW, PAN HEAD	4	4	
6	6YL-24329-00	.SEAL	4	4	AP FOR CANADA, OCEANIA
7	6YL-24268-01	.GASKET, FUEL METER	1	1	
8	6YL-24306-52	FUEL PIPE COMP. 1	1	1	



66R0700-9260



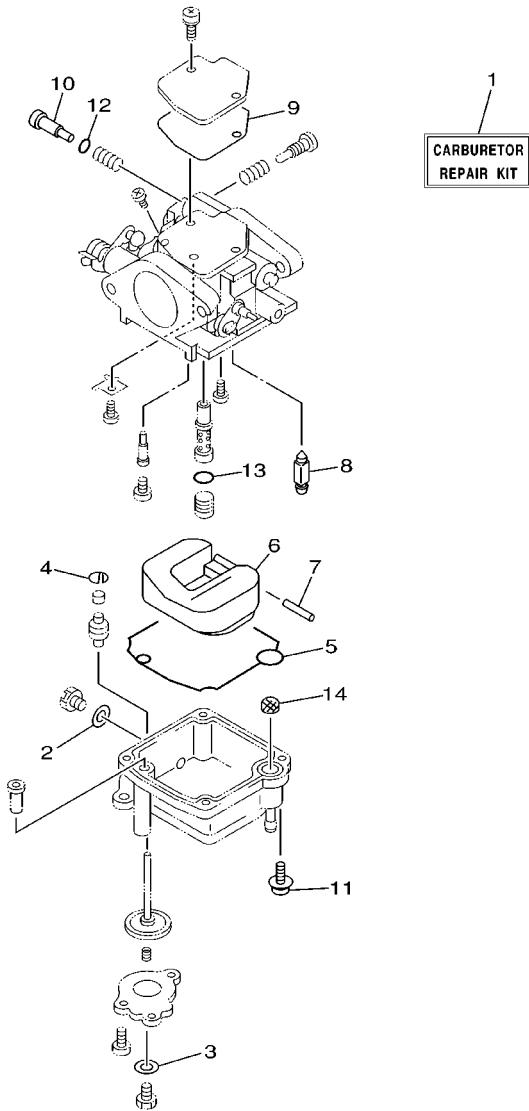
FIG. 28 REPAIR KIT 1



REF. NO.	PART NO.	DESCRIPTION	MH	EH				REMARKS
1	66M-W0001-01	POWER HEAD GASKET KIT	1	1				
2	66M-11357-00	.SEAL, CYLINDER 3	1	1				
3	66M-11351-00	.GASKET, CYLINDER	1	1				
4	62Y-12414-00	.GASKET, COVER	1	1				
5	66M-41114-00	.GASKET, EXHAUST OUTER COVER	1	1				
6	66M-11181-00	.GASKET, CYLINDER HEAD 1	1	1				
7	66M-11356-00	.SEAL, CYLINDER 2	1	1				
8	93210-24M79	.O-RING	1	1				
9	93102-35M51	.OIL SEAL	1	1				
10	93102-25M52	.OIL SEAL	1	1				
11	66M-13645-00	.GASKET, MANIFOLD 1	1	1				
12	66M-13646-00	.GASKET, MANIFOLD 2	2	2				
13	93210-35M86	.O-RING	1	1				
14	93102-18M21	.OIL SEAL	1	1				
15	90280-03M01	.KEY, WOODRUFF	1	1				
16	66M-13329-10	.GASKET, PUMP COVER	1	1				
17	93210-20M65	.O-RING	1	1				

66M0100-1280

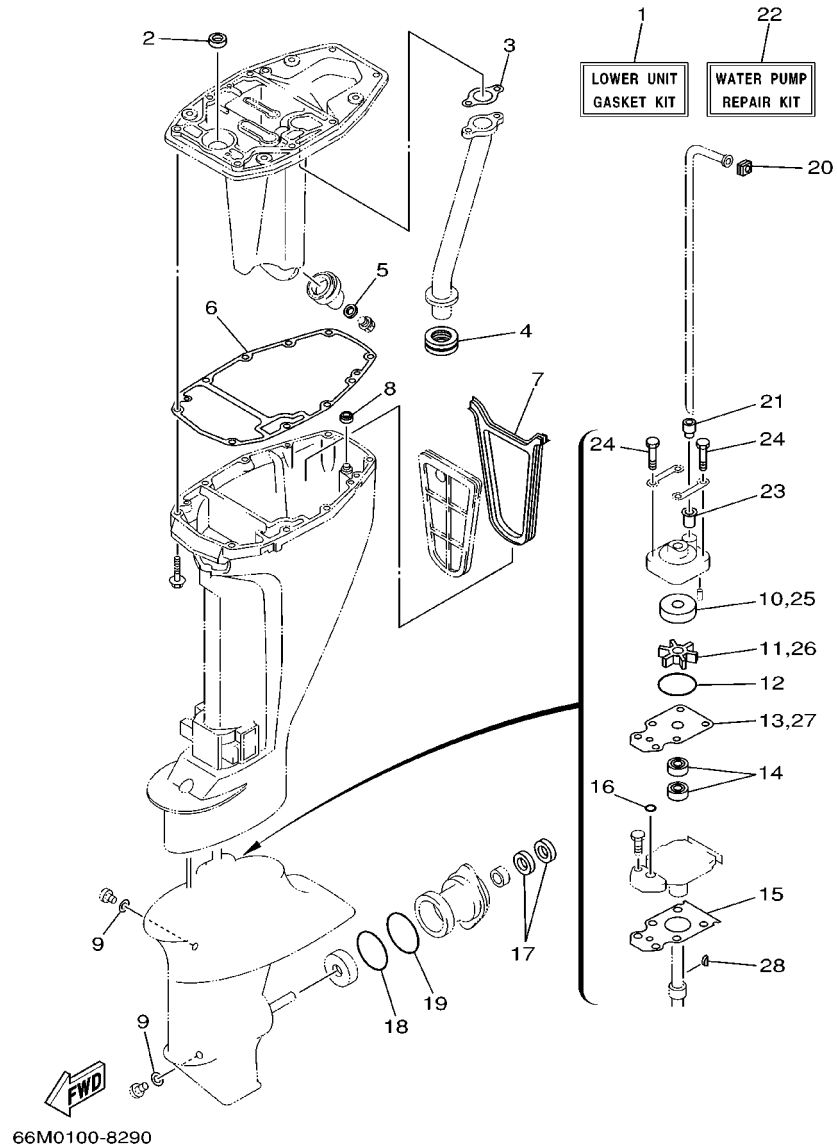
FIG. 29 REPAIR KIT 2



REF. NO.	PART NO.	DESCRIPTION	MH	EH				REMARKS
1	66M-W0093-01	CARBURETOR REPAIR KIT	1	1				
2	66M-14398-00	.GASKET	1	1				
3	6L2-14398-00	.GASKET	1	1				
4	66M-14377-00	.STOPPER	1	1				
5	66M-14384-00	.GASKET, FLOAT CHAMBER	1	1				
6	6L2-14385-00	.FLOAT	1	1				
7	6E5-14386-01	.PIN, FLOAT	1	1				
8	6L2-14392-00	.VALVE, NEEDLE	1	1				
9	62Y-14399-00	.GASKET	1	1				
10	5H0-14323-00	.SCREW, AIR ADJUSTING	1	1				
11	97980-04112	.SCREW, WITH WASHER	4	4				
12	62Y-14397-00	.O-RING	1	1				
13	6F5-14397-00	.O-RING	1	1				
14	66M-14827-00	.FILTER	1	1				

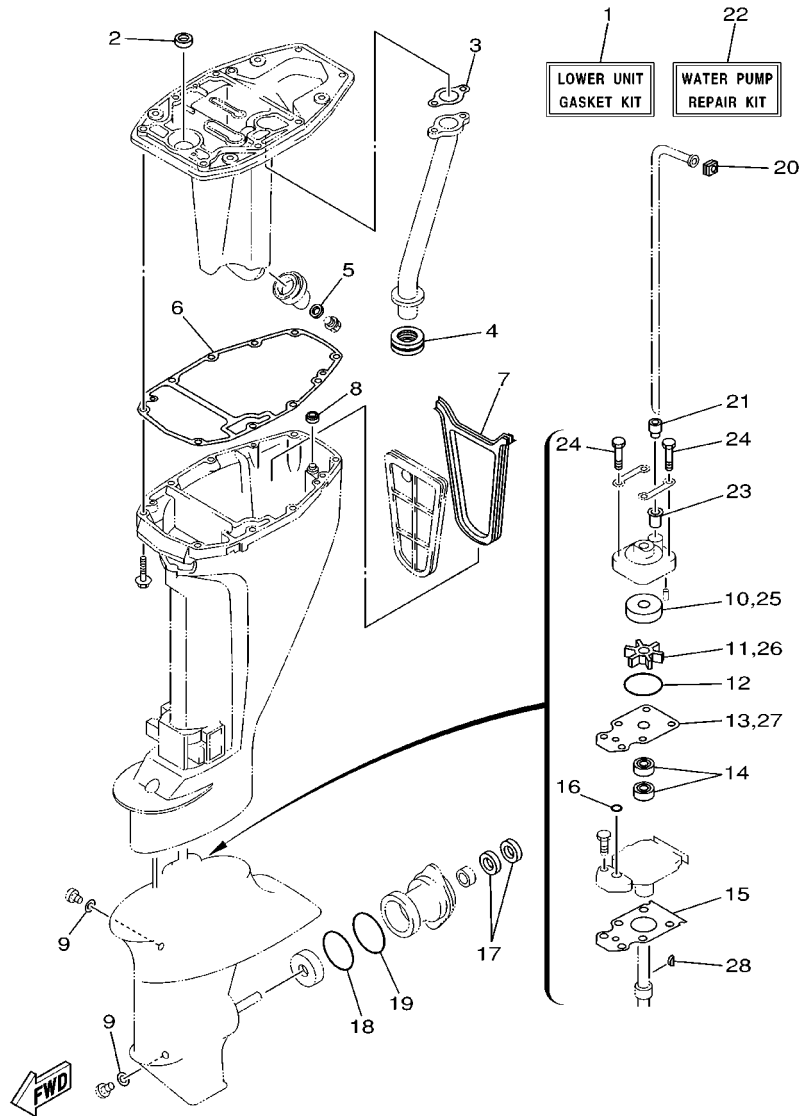
  
66M0100-8280

FIG. 30 REPAIR KIT 3



REF. NO.	PART NO.	DESCRIPTION	MH	EH				REMARKS
1	66M-W0001-20	LOWER UNIT GASKET KIT	1	1				
2	93101-12M63	.OIL SEAL	1	1				
3	66M-41133-00	.GASKET, EXHAUST MANIFOLD 1	1	1				
4	66M-41138-00	.SEAL, EXT. 1	1	1				
5	90430-14M09	.GASKET	1	1				
6	66M-45113-00	.GASKET, UPPER CASING	1	1				
7	66M-45115-00	.GASKET, UPPER CASING	1	1				
8	66M-45128-00	.SEAL 2	1	1				
9	90430-08020	.GASKET	2	2				
10	63V-44322-00	.INSERT, CARTRIDGE	1	1				
11	63V-44352-01	.IMPELLER	1	1				
12	93210-44398	.O-RING	1	1				
13	63V-44323-00	.OUTER PLATE, CARTRIDGE	1	1				
14	93101-20048	.OIL SEAL	2	2				
15	63V-45315-A0	.PACKING, LOWER CASING	1	1				
16	93210-06ME6	.O-RING	1	1				
17	93101-17054	.OIL SEAL	2	2				
18	93210-57M09	.O-RING	1	1				
19	93210-56M80	.O-RING	1	1				
20	63V-44365-10	.DAMPER, WATER SEAL	1	1				
21	63V-44368-00	.RUBBER, WATER SEAL 4	1	1				
22	63V-W0078-00	WATER PUMP REPAIR KIT	1	1				
23	647-44366-00	.DAMPER, WATER SEAL	1	1				
24	97080-08045	.BOLT	4	4				
25	63V-44322-00	.INSERT, CARTRIDGE	1	1				
26	63V-44352-01	.IMPELLER	1	1				
27	63V-44323-00	.OUTER PLATE, CARTRIDGE	1	1				

FIG. 30 REPAIR KIT 3



66M0100-8290

REF. NO.	PART NO.	DESCRIPTION	MH	EH	REMARKS
28	664-44338-00	.KEY, WOODRUFF	1	1	

NUMERICAL INDEX

PARTNO.	REF. NO.	PARTNO.	REF. NO.	PARTNO.	REF. NO.	PARTNO.	REF. NO.	PARTNO.	REF. NO.	PARTNO.	REF. NO.
66M-W0001-01	28 - 1	51Y-12119-00	5 - 7	62Y-14321-00	7 - 27	66M-15711-01	11 - 2	66M-26311-00	17 - 17	6E7-42652-00	1 - 6
66M-W0001-20	30 - 1	66M-12121-00	5 - 2	5H0-14323-00	7 - 25	66M-15711-10	11 - 34	65W-26326-10	20 - 17	66M-42677-00	1 - 11
66M-W0070-20	1 - 10	66M-12138-40	4 - 16		29 - 10	63V-15713-00	11 - 6	66M-26326-00	16 - 22	66M-42678-20	1 - 9
63V-W0078-00	30 - 22	66M-12138-50	4 - 16	6E7-14325-00	9 - 18	63V-15714-00	11 - 4	62Y-28100-00	9 - 29	66M-42710-03-4D	16 - 1
66M-W0084-00-4D	17 - 1	66M-12146-00	5 - 8	66M-14325-00	7 - 7	63V-15716-00	11 - 7	66M-41113-02-1S	2 - 25	66M-42716-00	16 - 8
66M-W009A-01-1S	4 - 1	66M-12151-10	5 - 14	30X-14334-00	7 - 26	66T-15731-00	11 - 19	66M-41113-10-1S	2 - 25	66M-41113-10-1S	16 - 24
66M-W009B-02-1S	2 - 1	62Y-12158-00	5 - 16	66M-14341-00	7 - 21	66T-15734-00	11 - 16	66M-41114-00	2 - 27	66M-42725-00	16 - 11
66M-W009B-10-1S	2 - 1	62Y-12159-00	5 - 15	66M-14342-23	7 - 23	63V-15741-00	11 - 5		28 - 5	66M-42725-10	16 - 11
66M-W0093-01	29 - 1	66M-12170-00	8 - 2	66M-14343-52	7 - 22	63V-15744-00	11 - 11	66M-41131-01-94	24 - 7	66M-42725-20	20 - 15
66M-11111-01-1S	4 - 2	66M-12171-10	8 - 2	66M-14355-00	7 - 24	6G1-15755-00	11 - 20	66M-41133-00	24 - 8	6H4-42726-00	16 - 30
66M-11133-10	4 - 3	66M-12411-00	2 - 22	66M-14368-01	7 - 10	66M-15758-00	11 - 24		30 - 3	65W-42726-00	16 - 25
66M-11168-00-1S	2 - 16	6H3-12413-00-1S	2 - 23	66M-14377-00	7 - 8	66M-15758-10	11 - 24	66M-41137-00-5B	24 - 1	65W-42726-10	20 - 18
66M-11181-00	4 - 5	62Y-12414-00	2 - 24		29 - 4	66M-15762-00	11 - 30	66M-41138-00	24 - 11	688-42726-10	16 - 30
	28 - 6		28 - 4	66M-14381-02	7 - 2	63V-15764-00	11 - 13		30 - 4	62Y-42727-00	20 - 16
66M-11191-00-1S	4 - 10	66M-12481-00	16 - 33	62Y-14383-00	7 - 3	63V-15767-01	11 - 9	66M-41211-00	19 - 28	65W-42727-00	16 - 12
66M-11325-00	2 - 8	66M-12535-00	2 - 15	677-14383-01	7 - 5	63V-15768-00	11 - 12	6R5-41237-00	6 - 23	682-42727-00	16 - 23
66M-11327-00-94	2 - 9	65W-12572-00	16 - 31	66M-14384-00	7 - 14	66M-15770-00	11 - 17	66M-41252-00	6 - 18	66M-42738-00-4D	16 - 9
66M-11328-00	2 - 10	6R3-12580-00	16 - 35		29 - 5	66M-15774-00	11 - 31	66M-41256-00	6 - 24	66M-42743-00	16 - 26
66M-11351-00	2 - 21	66M-13131-10	9 - 14	6L2-14385-00	7 - 15	6G1-15779-00	11 - 21	661-41262-02	19 - 26	66M-42766-00	16 - 19
	28 - 3	66M-13300-10	8 - 15		29 - 6	63V-15784-01	11 - 10	66M-41271-00	6 - 13	66M-42815-00-4D	16 - 13
66M-11355-00	24 - 4	66M-13329-10	8 - 16	6E5-14386-01	7 - 16	66T-15794-00	11 - 15	689-41273-00	6 - 14	6L2-42816-00	16 - 17
66M-11356-00	4 - 11		28 - 16		29 - 7	6YL-24201-02	27 - 1	65W-41283-00	19 - 25	63V-43111-05-4D	21 - 1
	28 - 7	66M-13416-00	24 - 14	6L2-14392-00	7 - 17	65W-24251-00	9 - 5	66M-41292-00	6 - 15	63V-43112-06-4D	21 - 2
66M-11357-00	2 - 18	66M-13417-00	24 - 13	6F5-14397-00	7 - 32	6YL-24260-01	27 - 4	66M-41298-00	6 - 16	66R-43113-00	21 - 14
	28 - 2	66M-13421-00	24 - 12		29 - 13	6YL-24268-01	27 - 7	65W-41638-00	19 - 24	648-43114-01	21 - 9
676-11372-00	2 - 26	67F-13434-02	1 - 13	62Y-14397-00	7 - 29	6G1-24304-02	9 - 1	6F5-41662-00	19 - 4	6E7-43116-00	21 - 8
66M-11411-00	3 - 3	6G8-13437-43	8 - 19		29 - 12	6G1-24305-03	10 - 6	65W-42101-01-4D	17 - 2	6E0-43118-01	21 - 6
66M-11416-00	3 - 4	6G8-13437-53	8 - 19	6L2-14398-00	7 - 6	6Y1-24305-04	10 - 8	66M-42119-00	17 - 10	63W-43131-01	21 - 10
66M-11416-10	3 - 4	5GH-13440-00	2 - 34		29 - 3	6YL-24306-52	27 - 8	65W-42125-00	17 - 7	6L2-43160-00	21 - 20
66M-11416-20	3 - 4	6G8-13444-41	16 - 37	66M-14398-00	7 - 4	6Y1-24306-53	10 - 1	6G1-42126-00	17 - 6	63V-43181-00	21 - 42
66M-11536-10	8 - 7	6G8-13444-51	16 - 37		29 - 9	6YL-24329-00	27 - 6	66M-42131-01	17 - 24	63V-43191-00	21 - 24
66M-11537-00-94	8 - 3	66M-13641-00-94	6 - 1	62Y-14399-00	7 - 20	650-24351-51	10 - 5	689-42137-20	17 - 11	63V-43311-03-4D	21 - 21
66M-11557-00	8 - 8	66M-13645-00	6 - 2		29 - 9	66M-24351-00	24 - 15	65W-42138-00	17 - 4	66M-43311-10-4D	21 - 21
6G8-11575-00	24 - 16		28 - 11	66M-14427-40	11 - 37	6Y1-24360-52	10 - 3	65W-42159-00	17 - 5	682-43318-01	21 - 23
66M-11603-00	3 - 9	66M-13646-00	6 - 6	66M-14427-50	11 - 37	66M-24374-00	9 - 20	66M-42177-00	17 - 9	66M-43350-01	21 - 28
66M-11604-00	3 - 9		28 - 12	66M-14440-00	6 - 8	6E5-24377-00	2 - 6	66M-42508-01	18 - 1	689-43373-01	22 - 3
66M-11605-00	3 - 9	6L2-14157-00	7 - 19	66M-14477-00	6 - 12			66M-42511-01-4D	22 - 6	66R-43611-00	21 - 36
66M-11631-00-96	3 - 8	66M-14157-00	7 - 9	65W-14497-01	19 - 29	688-24378-00	2 - 31	66M-42511-11-4D	22 - 6	63V-43614-10	21 - 33
634-11633-00	3 - 10		7 - 36	66M-14827-00	7 - 34	66M-24410-10	9 - 9	66M-42527-00	18 - 3	66R-43615-00	21 - 35
66M-11635-00	3 - 8	646-14212-01	7 - 31		29 - 14	66M-24411-10	9 - 12	63V-42528-00	22 - 2	66R-43617-00	21 - 40
66M-11636-00	3 - 8	66M-14225-00	7 - 13	66M-15100-01-1S	2 - 2	66M-24413-01	9 - 10	65W-42528-00	18 - 9	66M-43630-01	21 - 22
66M-11650-00	3 - 5	66M-14239-00	7 - 12		24 - 19	6A0-24421-01	9 - 11	65F-42537-00	22 - 8	689-43633-00	18 - 7
66M-11654-00	3 - 6	66M-14271-00	6 - 7	66M-15316-00	24 - 19	66M-24423-00	9 - 13	66M-42561-00	18 - 6	63V-43641-01	21 - 30
66M-12111-00	5 - 1	66M-14272-00	7 - 33	66M-15362-00	24 - 20	66M-24444-00	9 - 16	65W-42562-00	18 - 5	63V-43656-00	21 - 41
66M-12113-00	5 - 4	6G8-14275-02	7 - 11	6G8-15363-00	4 - 14	66M-24454-00	9 - 15	66M-42610-10-4D	1 - 1	63V-43659-00	21 - 38
66M-12116-00	5 - 3	66M-14301-00	7 - 1	66M-15373-00	6 - 25	66M-24471-00	9 - 17	66M-42613-00	1 - 2	66M-44111-01	17 - 27
30X-12117-00	5 - 5	66M-14301-11	7 - 1	63V-15705-01	11 - 8	6YL-24610-00	27 - 2	66M-42615-00	1 - 8	66R-44114-00	19 - 7
30X-12118-00	5 - 6	6G8-1432A-01	7 - 38	66M-15710-01	11 - 1	6YL-24641-00	27 - 3	6E0-42651-02	1 - 4	65W-44116-00	19 - 6

NUMERICAL INDEX

PARTNO.	REF. NO.	PARTNO.	REF. NO.	PARTNO.	REF. NO.	PARTNO.	REF. NO.	PARTNO.	REF. NO.	PARTNO.	REF. NO.
65W-44121-00	19 - 1	66M-45115-00	30 - 7	663-48344-00	20 - 12	66M-85550-00	12 - 1	90201-06M31	19 - 17	90386-40MA0	17 - 19
66M-44122-00	19 - 2	66M-45126-00	23 - 5	66M-48501-00	20 - 1	66M-85550-10	12 - 1		19 - 30	90386-40M99	17 - 23
66M-44124-00	17 - 32	66M-45128-00	23 - 8	63V-48511-01	20 - 19	66M-85570-00	13 - 4		20 - 6	90387-05M11	18 - 12
65W-44125-00	19 - 15		30 - 8	6H3-48538-00	20 - 14	66M-85580-00	12 - 3	90201-06M94	8 - 6	90387-06M05	11 - 3
	20 - 4	66M-45136-00	23 - 7	66M-81800-01	15 - 1	90101-06M29	21 - 17	90201-07M01	3 - 7		14 - 10
65W-44142-00	19 - 13	6G1-45214-00	26 - 7	65W-81801-00	15 - 8	90105-06M07	22 - 4	90201-08M06	22 - 13	90387-06M08	19 - 27
	20 - 2	63V-45215-00	26 - 8	65W-81807-00	15 - 5	90105-08M78	4 - 7	90201-10M01	26 - 16	90387-06M13	21 - 16
66M-44143-00	19 - 9	61N-45251-00	26 - 11	65W-8182B-00	14 - 4	90109-06M81	16 - 32	90201-13201	8 - 5	90387-06M29	19 - 16
66M-44143-10	19 - 9	66M-45300-01-4D	25 - 1	65W-8182S-00	15 - 10		19 - 5	90201-16M44	12 - 14		20 - 5
63V-44150-00	25 - 27	66M-45300-11-4D	25 - 1	66M-81820-00	15 - 7	90109-06M82	16 - 10	90201-17682	25 - 34	90387-06M52	16 - 7
66M-44150-10	25 - 27	63V-45311-01-4D	25 - 2	65W-81826-00	15 - 2	90109-06M84	21 - 43	90201-43M00	17 - 20	90387-06M78	17 - 31
65W-44173-00	17 - 36	66M-45311-00-4D	25 - 2	66M-81830-00	15 - 4	90109-06M86	11 - 32	90202-05M38	1 - 12	90387-06M79	6 - 11
6E0-44191-11	17 - 35	63V-45315-A0	25 - 24	65W-81840-00	15 - 9		14 - 25	90202-05088	6 - 22	90387-07M07	21 - 26
66M-44192-00	19 - 20		30 - 15	65W-81850-01	15 - 6		16 - 20	90202-07M60	21 - 25	90387-13M56	5 - 9
	20 - 8	63V-45331-00-5B	25 - 21	65W-81857-01	15 - 3		16 - 27	90202-10M56	18 - 8	90387-13001	5 - 10
63V-44301-00	25 - 11	683-45361-02-4D	25 - 41	65W-81870-00	14 - 8		17 - 3	90202-22M54	21 - 11	90387-13002	5 - 11
63V-44322-00	25 - 12	66M-45371-00	26 - 20	6G1-81941-10	14 - 1		19 - 8	90202-43M57	17 - 22	90401-20M00	2 - 35
	30 - 10	63V-45375-00	26 - 14	6G1-81952-00	14 - 2	90109-08M78	15 - 12	90206-05005	6 - 20	90430-08020	25 - 10
	30 - 25	63V-45510-01	25 - 28	6G8-81960-A1	14 - 17	90109-08M85	15 - 13	90206-10M04	17 - 30		30 - 9
63V-44323-00	25 - 17	63V-45510-11	25 - 28	66M-82105-00	14 - 5	90109-08M91	18 - 4	90206-10M24	21 - 44	90430-14M09	24 - 18
	30 - 13	63V-45536-00	25 - 4	66M-82117-00	14 - 3	90116-08M54	22 - 12	90206-12052	16 - 16		30 - 5
	30 - 27	63V-45551-00	25 - 29	66M-82127-00	22 - 5	90119-05M03	18 - 13	90206-43M22	17 - 21	90445-09061	2 - 30
63V-44328-00	25 - 20	6E7-45560-01	25 - 31	66M-82127-10	13 - 10	90119-06M14	2 - 5	90209-10M26	18 - 10	90445-09086	2 - 32
664-44338-00	25 - 15	664-45567-01-10	25 - 8	66M-82148-00	21 - 3	90119-06M59	11 - 25	90209-40008	22 - 7	90445-09105	2 - 33
	30 - 28	664-45567-01-12	25 - 8	6G8-82150-00	14 - 20	90119-06M76	6 - 10	90240-05M20	6 - 19	90445-10M20	9 - 6
63V-44352-01	25 - 14	664-45567-01-15	25 - 8	663-82151-00	14 - 21	90119-08M39	15 - 11	90243-04M01	21 - 7	90445-10M40	9 - 4
	30 - 11	664-45567-01-18	25 - 8	6G5-82152-00	14 - 22	90119-08M45	22 - 23	90250-05010	25 - 38	90445-10M46	2 - 7
	30 - 26	664-45567-01-30	25 - 8	6G8-82370-30	13 - 8	90119-08M46	22 - 24	90254-03M05	17 - 37	90445-10M93	9 - 25
66M-44361-00	26 - 1	664-45567-01-40	25 - 8	62Y-82377-00	16 - 36	90119-08M66	2 - 4		19 - 3	90445-11M05	10 - 4
66M-44361-10	26 - 1	664-45567-01-50	25 - 8	63V-82377-50	21 - 45	90149-05M13	17 - 13		19 - 14	90445-11M06	10 - 2
63V-44365-10	26 - 2	6E7-45571-00	25 - 32	62Y-82504-10	13 - 9	90152-05M04	26 - 9		20 - 3	90446-06M90	11 - 18
	30 - 20	626-45577-00-01	25 - 33	6H3-82540-00	14 - 23	90157-05M16	27 - 5	90266-04M04	1 - 5	90446-10M87	17 - 18
647-44366-00	25 - 13	626-45577-00-03	25 - 33	6J8-82554-00	14 - 24	90157-05014	21 - 31		1 - 7	90464-09M13	14 - 16
	30 - 23	626-45577-00-05	25 - 33	682-82556-00	17 - 39	90157-06M06	23 - 9	90269-02M09	17 - 12		16 - 29
66M-44366-00	22 - 17	6E8-45587-10-13	25 - 6	689-8257Y-00	17 - 40	90170-06015	19 - 10	90280-03M01	8 - 10	90464-09M31	9 - 28
63V-44368-00	26 - 3	6E8-45587-10-20	25 - 6	65W-82575-01	17 - 38	90170-28M37	8 - 9		28 - 15	90465-06M86	9 - 27
	30 - 21	683-45611-00	25 - 35	6H1-83557-00	13 - 12	90171-10M01	26 - 17	90280-05013	12 - 12	90465-06M88	13 - 13
6H3-44391-01	16 - 21	682-45631-00	25 - 37	6A1-83625-41	11 - 35	90179-08M06	25 - 30	90340-08M04	25 - 9	90465-08M82	6 - 26
66M-44514-00-4D	22 - 14	648-45633-00	25 - 39	6A1-83625-51	11 - 36	90179-08M34	22 - 25	90340-14M06	24 - 17	90465-08M83	6 - 27
66M-44526-00	22 - 15	650-45635-00	25 - 36	6E0-83627-41	17 - 41	90179-16M05	12 - 13	90381-14020	25 - 22	90465-11M10	9 - 8
66M-44551-00-4D	22 - 20	683-45941-00-EL	26 - 19	6E0-83627-51	17 - 42	90185-05002	26 - 10	90386-07M95	21 - 27		16 - 34
682-44555-30	22 - 22	683-45943-00-EL	26 - 19	66M-84342-00	11 - 33	90185-08057	20 - 21	90386-08032	17 - 16	90465-25M57	16 - 28
66M-44557-00	22 - 21	683-45945-00-EL	26 - 19	65W-85410-01	13 - 11	90185-10M14	18 - 11	90386-12MA2	16 - 15	90467-09M03	9 - 7
66M-45111-00-4D	23 - 1	63V-45947-00-EL	26 - 19	66M-85520-00	12 - 2	90185-22043	21 - 15	90386-12M37	16 - 14		9 - 26
66M-45111-10-4D	23 - 1	683-45952-00-EL	26 - 19	66M-85533-00	12 - 4	90201-05M06	19 - 21	90386-22M94	21 - 12	90468-10005	19 - 22
66M-45113-00	23 - 2	6E7-45987-01	26 - 15	66M-85533-10	12 - 4		20 - 9		21 - 13		20 - 10
	30 - 6	66M-46241-00	8 - 11	66M-85540-01	13 - 1	90201-06M05	11 - 28	90386-30M60	22 - 11	90468-18008	17 - 34
66M-45115-00	23 - 6	66M-46297-00	8 - 12	66M-85542-10	14 - 9		14 - 13	90386-30048	22 - 9		19 - 12

NUMERICAL INDEX

PARTNO.	REF. NO.	PARTNO.	REF. NO.	PARTNO.	REF. NO.	PARTNO.	REF. NO.	PARTNO.	REF. NO.	PARTNO.	REF. NO.
90468-18008	19 - 23	92995-06600	21 - 18	93606-12019	24 - 3	97095-06040	12 - 10				
	20 - 11		22 - 19	93700-06M03	18 - 2	97095-06055	19 - 31				
	20 - 13		24 - 6		22 - 1	97095-06090	11 - 26				
90480-10M16	8 - 13		24 - 10	94701-00375	4 - 17	97575-08535	20 - 20				
90480-12072	8 - 14		25 - 48	95380-05600	9 - 19	97575-08545	23 - 3				
90480-13M24	14 - 11		26 - 22	95380-06700	11 - 29	97595-06525	20 - 7				
90480-15M31	16 - 6	92995-08600	26 - 6		19 - 11	97780-50510	6 - 17				
90480-25161	13 - 5	93101-12M63	24 - 2		21 - 19	97780-60520	1 - 3				
90501-12M40	5 - 12		30 - 2	95380-08600	22 - 16	97880-06030	9 - 21				
90501-12M41	5 - 13	93101-17054	25 - 44	95380-08700	14 - 6	97885-06008	21 - 4				
90501-14M06	25 - 40		30 - 17	95380-10700	17 - 26	97885-08010	21 - 5				
90501-23215	17 - 15	93101-20048	25 - 23	95780-10300	17 - 25	97890-04005	7 - 35				
90507-20M00	21 - 29		30 - 14	95895-06020	14 - 12	97980-04110	7 - 18				
90508-18M41	21 - 34	93102-18M21	8 - 1	95895-06030	26 - 12	97980-04112	7 - 28				
91490-16010	17 - 8		28 - 14	97013-06016	8 - 4		29 - 11				
91490-30020	26 - 18	93102-25M52	3 - 2	97013-06025	4 - 8	98580-03005	7 - 37				
91690-20016	6 - 21		28 - 10	97013-06030	2 - 28	98980-04006	7 - 30				
92903-06600	2 - 29	93102-35M51	3 - 1	97075-06025	22 - 18	99080-05600	21 - 32				
	4 - 9		28 - 9	97075-08030	26 - 5		21 - 39				
92903-10600	17 - 14	93210-06ME6	25 - 25	97080-08025	25 - 26	99510-10114	2 - 3				
92990-06100	9 - 22		30 - 16	97080-08045	25 - 19		4 - 6				
92990-06200	17 - 33	93210-08287	10 - 7		30 - 24						
92990-06300	26 - 13		10 - 9	97095-05012	2 - 13						
92990-06600	9 - 23	93210-20M65	9 - 24	97095-06010	19 - 33						
92990-08600	14 - 7		28 - 17	97095-06012	16 - 18						
92995-05600	2 - 14	93210-24M79	4 - 15	97095-06016	12 - 8						
92995-06100	11 - 27		28 - 8		13 - 14						
	12 - 6	93210-29M94	22 - 10		14 - 18						
92995-06600	2 - 12	93210-35M86	6 - 9		24 - 9						
	2 - 20		28 - 13		26 - 21						
	4 - 13	93210-44398	25 - 16	97095-06020	2 - 11						
	6 - 4		30 - 12		2 - 19						
	8 - 18	93210-56M80	25 - 46		4 - 12						
	9 - 3		30 - 19		9 - 2						
	11 - 23	93210-57M09	25 - 45		11 - 22						
	12 - 7		30 - 18		13 - 2						
	12 - 9	93306-00501	25 - 42		13 - 6						
	12 - 11	93315-314V8	25 - 3		24 - 5						
	13 - 3	93315-317U2	25 - 43		25 - 47						
	13 - 7	93332-00005	25 - 7	97095-06025	12 - 5						
	13 - 15	93341-41414	25 - 5		14 - 14						
	14 - 15	93430-04M03	21 - 37		16 - 4						
	14 - 19	93450-09M01	4 - 4		19 - 18						
	16 - 3	93450-15023	3 - 11	97095-06030	12 - 10						
	16 - 5	93604-12M07	25 - 18		17 - 28						
	17 - 29		26 - 4	97095-06035	8 - 17						
	19 - 19	93606-12019	6 - 5		16 - 2						
	19 - 32		23 - 4	97095-06040	6 - 3						

F15MHA/F15EHA/F15AMH  
PARTS CATALOGUE

©2001 by Yamaha Motor Co., Ltd.

1st Edition, May. 2001

All rights reserved.

Any reprinting or unauthorized use  
without the written permission of  
Yamaha Motor Co., Ltd.  
is expressly prohibited.

**G7**